



Air Conditioning & Heating

# GPC13M

## PACKAGED AIR CONDITIONER 3, 4, & 5 TONS / 13 SEER

**COOLING CAPACITY:**  
**36,000 - 56,000 BTU/H**



### Contents

Nomenclature .....	2
Accessories .....	2
Product Specifications .....	3
Expanded Cooling Data .....	4
Airflow Data .....	16
Heat Kit Electrical Data.....	17
Dimensions .....	18
Wiring Diagrams .....	19

### Standard Features

- Energy-efficient compressor with internal relief valve
- EEM blower motor; PSC blower motor on 3-ton units
- Convertible airflow: horizontal or downflow
- All-Aluminum evaporator coil (on C\* revision levels)
- Copper tube/aluminum fin condenser coil
- Totally enclosed, permanently lubricated condenser fan motor
- Fully charged R-410A system
- Electric heat kit available as a field-installed accessory
- AHRI Certified; ETL Listed

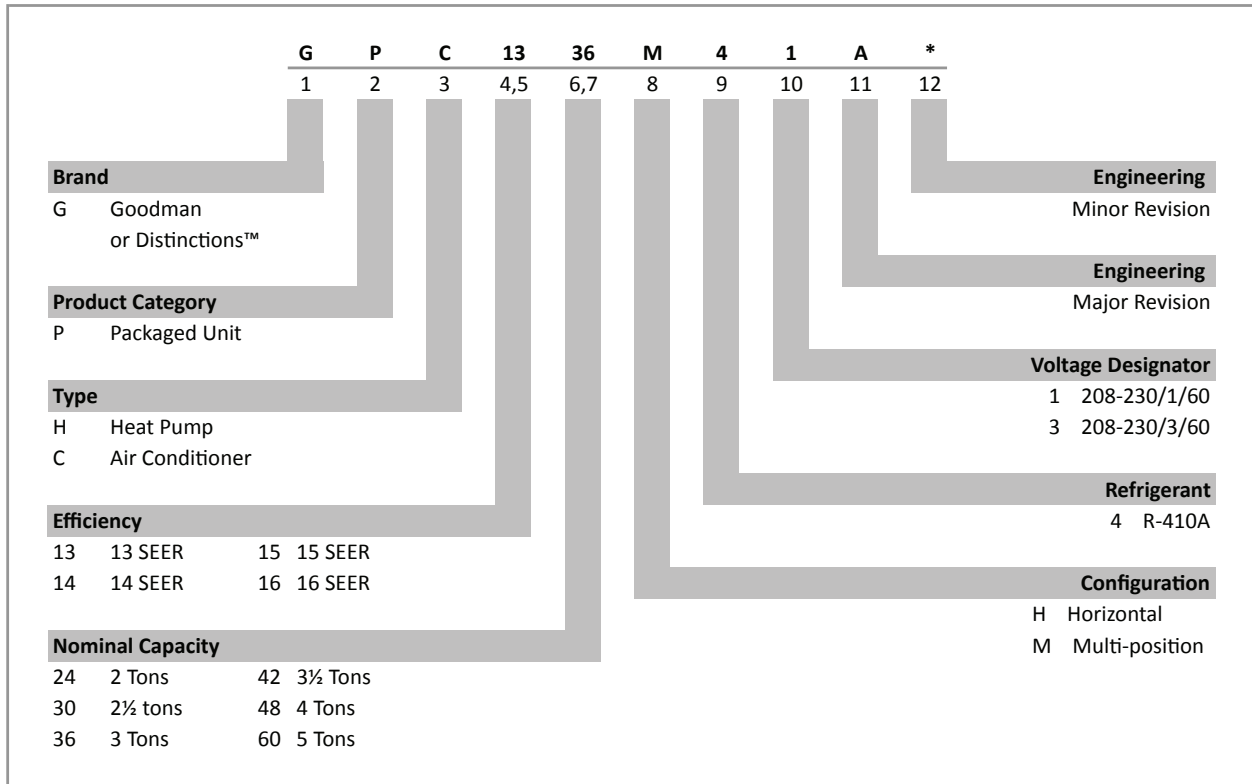
### Cabinet Features

- Heavy-gauge galvanized-steel cabinet with attractive Architectural Gray powder-paint finish
- Fully insulated blower compartment with convenient access panels
- Louvered condenser coil protection
- One footprint; two heights



\* Complete warranty details available from your local dealer or at [www.goodmanmfg.com](http://www.goodmanmfg.com). To receive the 10-Year Parts Limited Warranty, online registration must be completed within 60 days of installation. Online registration not required in California or Québec.

NOMENCLATURE



ACCESSORIES

ACCESSORY DESCRIPTION	ITEM NUMBER	
	MEDIUM CHASSIS	LARGE CHASSIS
Concentric Kit	CDK36	CDK4872
Downflow Economizer	GPH13MED102	GPH13MED103
Downflow Internal Filter Rack	GPH13MFR102	GPH13MFR103
Downflow Manual Damper	PGMDD101/102	PGMDD103
Downflow Motorized Damper	PGMDMD101/102	PGMDMD103
Downflow Square to Round	SQRPG101/102	SQRPG103
External Horizontal Filter Rack	GPGHFR101-103	GPGHFR101-103
Horizontal Duct Cover	20464501PDGK	20464502PDGK
Horizontal Economizer	PEHH101/102	PEHH103
Horizontal manual Damper	PGMDH102	PGMDH103
Horizontal Motorized Damper	PGMDMH102	PGMDMH103
Horizontal Square to Round	SQRPGH101/102	SQRPGH103
Outdoor Thermostat & Emergency Heat Relay Kit	OT/EHR18-60	OT/EHR18-60
Outdoor Thermostat Kit w/ Lockout Stat	OT18-60A	OT18-60A
Roof Curb	PGC101/102/103	PGC101/102/103



**SPECIFICATIONS**

	GPC13 36M41C*	GPC13 48M41C*	GPC13 60M41C*
<b>COOLING CAPACITY</b>			
Total BTU/h	35,000	45,500	56,000
Sensible BTU/h	25,550	36,855	42,560
SEER / EER	13 / 11.0	13 / 11	13 / 10.9
Decibels	80.1	81.7	80.2
AHRI Numbers	5696964	5696965	5696966
<b>EVAPORATOR MOTOR</b>			
Type	DD	EEM	EEM
Nominal Cooling CFM	1,080	1,675	1,750
Wheel (DxW)	10 x 9	10 x 9	10 x 9
No. of Speeds	3	5	5
Horsepower - RPM	⅓	¾	1.0
<b>EVAPORATOR COIL</b>			
Face Area (ft <sup>2</sup> )	4.55	6.20	6.20
Rows Deep/ Fin per Inch	4/ 14	4/ 14	4/ 14
Drain Size (NPT)	¾"	¾"	¾"
Refrigerant Charge (oz.)	70	116	195
<b>CONDENSER FAN / COIL</b>			
Horsepower - RPM	¼ - 1,075	¼ - 1,075	¼ - 1,075
Fan Diameter / # Fan Blades	22 / 3	22 / 3	22 / 3
Face Area (ft <sup>2</sup> )	8.77	15.36	21.04
Rows Deep/ Fins per Inch	2/ 27	1/ 24	2/ 16
<b>COMPRESSOR</b>			
Quantity	1	1	1
Type	Scroll	Scroll	Scroll
Stage	Single	Single	Single
<b>ELECTRICAL DATA</b>			
Voltage-Phase	208/230-1	208/230-1	208/230-1
Compressor RLA/LRA	16.7 / 79	19.9 / 109	26.4 / 134
Indoor Blower FLA / LRA	3.06 / 4.1	5.8 / -	7.6 / -
Outdoor Fan FLA / LRA	1.4 / 2.9	1.4 / 2.9	1.4 / 2.9
Total Unit Amps	21.2	27.1	35.4
Min. Circuit Ampacity <sup>1</sup>	25.3	32.1	42
Max. Overcurrent Protection <sup>2</sup>	40 amps	50 amps	60 amps
<b>SHIP WEIGHT (LBS)</b>	365	435	458

<sup>1</sup> Wire size should be determined in accordance with National Electrical Codes. Extensive wire runs will require larger wire sizes.

<sup>2</sup> May use fuses or HACR-type circuit breakers of the same size as noted.

Note: Always check the S&R plate for electrical data on the unit being installed.

EXPANDED COOLING DATA — GPC1336M41A\*

IDB	AIRFLOW	OUTDOOR AMBIENT TEMPERATURE												ENTERING INDOOR WET BULB TEMPERATURE												
		65°F				75°F				85°F				95°F				105°F				115°F				
		59	63	67	71	59	63	67	71	59	63	67	71	59	63	67	71	59	63	67	71	59	63	67	71	
70	MBh	34.3	35.5	38.9	-	32.7	33.9	37.1	-	31.9	33.1	36.2	-	30.3	31.4	34.4	-	28.1	29.1	31.9	-	28.1	29.1	31.9	-	
	S/T	0.75	0.63	0.43	-	0.80	0.67	0.46	-	0.82	0.69	0.48	-	0.86	0.71	0.49	-	0.86	0.72	0.50	-	0.86	0.72	0.50	-	
	ΔT	18	15	12	-	18	16	12	-	18	16	12	-	18	16	12	-	17	15	11	-	17	15	11	-	
	kW	2.54	2.59	2.66	-	2.88	2.94	3.03	-	3.03	3.09	3.18	-	3.15	3.21	3.31	-	3.25	3.32	3.43	-	3.25	3.32	3.43	-	
	Amps	-0.4	-0.2	0.1	-	0.3	0.5	0.8	-	1.1	1.4	1.7	-	1.8	2.1	2.5	-	2.6	2.9	3.3	-	3.3	3.6	4.0	-	
	Hi PR	244	263	278	-	274	295	311	-	312	335	354	-	355	382	403	-	399	430	454	-	441	475	501	-	
	Lo PR	113	120	131	-	119	127	139	-	124	132	144	-	130	139	151	-	137	145	159	-	141	150	164	-	
	MBh	33.3	34.5	37.8	-	31.7	32.9	36.1	-	31.0	32.1	35.2	-	29.4	30.5	33.4	-	27.3	28.3	31.0	-	27.3	28.3	31.0	-	
	S/T	0.72	0.60	0.41	-	0.76	0.64	0.44	-	0.79	0.66	0.45	-	0.82	0.68	0.47	-	0.82	0.69	0.48	-	0.82	0.69	0.48	-	
	ΔT	19	16	12	-	19	16	12	-	19	16	12	-	19	16	12	-	17	15	11	-	17	15	11	-	
kW	2.52	2.57	2.64	-	2.70	2.76	2.84	-	2.86	2.92	3.01	-	3.00	3.06	3.16	-	3.12	3.19	3.29	-	3.23	3.29	3.40	-		
Amps	-0.5	-0.3	-0.0	-	0.2	0.4	0.8	-	1.0	1.3	1.6	-	1.7	2.0	2.4	-	2.5	2.7	3.2	-	3.2	3.5	3.9	-		
Hi PR	242	260	275	-	271	292	308	-	309	332	351	-	351	378	399	-	395	426	449	-	437	470	496	-		
Lo PR	112	119	130	-	118	126	137	-	123	131	143	-	129	137	150	-	135	144	157	-	140	149	162	-		
1034	MBh	30.7	31.9	34.9	-	29.3	30.4	33.3	-	28.6	29.6	32.5	-	27.2	28.2	30.8	-	25.2	26.1	28.6	-	25.2	26.1	28.6	-	
	S/T	0.69	0.58	0.40	-	0.73	0.61	0.42	-	0.76	0.63	0.44	-	0.79	0.66	0.45	-	0.79	0.66	0.46	-	0.79	0.66	0.46	-	
	ΔT	19	16	12	-	19	17	13	-	19	17	13	-	19	16	12	-	18	15	12	-	18	15	12	-	
	kW	2.46	2.51	2.58	-	2.64	2.69	2.77	-	2.79	2.85	2.94	-	2.93	2.99	3.08	-	3.05	3.11	3.21	-	3.15	3.21	3.32	-	
	Amps	-0.8	-0.6	-0.3	-	-0.1	0.2	0.5	-	0.7	1.0	1.3	-	1.4	1.7	2.1	-	2.1	2.4	2.8	-	2.8	3.1	3.5	-	
	Hi PR	235	252	267	-	263	283	299	-	299	322	340	-	341	367	387	-	384	413	436	-	424	456	482	-	
	Lo PR	108	115	126	-	115	122	133	-	119	127	138	-	125	133	145	-	131	140	152	-	136	144	158	-	
	1326	MBh	34.9	35.9	38.9	41.7	34.1	35.1	38.0	40.7	33.3	34.2	37.1	39.8	32.4	33.4	36.2	38.8	30.8	31.7	34.4	36.9	28.6	29.4	31.8	34.2
		S/T	0.85	0.76	0.58	0.37	0.88	0.79	0.60	0.39	0.91	0.81	0.61	0.40	0.94	0.84	0.63	0.41	0.97	0.87	0.66	0.42	0.98	0.88	0.66	0.43
		ΔT	21	19	16	11	21	19	16	11	21	19	16	11	21	19	16	11	21	19	16	11	19	18	15	10
kW		2.56	2.61	2.69	2.77	2.74	2.80	2.88	2.97	2.91	2.97	3.06	3.15	3.05	3.11	3.21	3.31	3.17	3.24	3.34	3.45	3.28	3.35	3.45	3.57	
Amps		-0.4	-0.1	0.2	0.5	0.4	0.6	0.9	1.3	1.2	1.5	1.8	2.3	1.9	2.2	2.6	3.1	2.7	3.0	3.4	3.9	3.4	3.7	4.2	4.7	
Hi PR		247	266	280	292	277	298	315	328	315	339	358	373	359	386	408	425	403	434	458	478	446	480	507	528	
Lo PR		114	121	133	141	121	128	140	149	125	133	146	155	132	140	153	163	138	147	160	171	143	152	166	176	
MBh		33.9	34.9	37.7	40.5	33.1	34.1	36.9	39.6	32.3	33.2	36.0	38.6	31.5	32.4	35.1	37.7	29.9	30.8	33.3	35.8	27.7	28.5	30.9	33.2	
S/T		0.81	0.73	0.55	0.35	0.84	0.75	0.57	0.37	0.87	0.77	0.59	0.38	0.89	0.80	0.60	0.39	0.93	0.83	0.63	0.40	0.93	0.84	0.63	0.41	
ΔT		21	20	16	11	22	20	16	11	22	20	16	11	22	20	17	11	22	20	16	11	20	19	15	11	
kW	2.54	2.59	2.67	2.75	2.72	2.78	2.86	2.95	2.88	2.94	3.03	3.13	3.03	3.09	3.19	3.29	3.15	3.21	3.31	3.42	3.25	3.32	3.43	3.54		
Amps	-0.4	-0.2	0.1	0.4	0.3	0.5	0.8	1.2	1.1	1.4	1.7	2.2	1.8	2.1	2.5	3.0	2.6	2.9	3.3	3.8	3.3	3.6	4.0	4.5		
Hi PR	244	263	278	290	274	295	311	325	312	335	354	369	355	382	403	421	399	430	454	473	441	475	502	523		
Lo PR	113	120	131	140	119	127	139	148	124	132	144	153	130	139	151	161	137	145	159	169	141	150	164	175		
75	MBh	31.3	32.2	34.8	37.4	30.5	31.4	34.0	36.5	29.8	30.7	33.2	35.6	29.1	29.9	32.4	34.8	27.6	28.4	30.8	33.0	25.6	26.3	28.5	30.6	
	S/T	0.79	0.70	0.53	0.34	0.81	0.73	0.55	0.35	0.83	0.75	0.56	0.36	0.86	0.77	0.58	0.38	0.89	0.80	0.61	0.39	0.90	0.81	0.61	0.39	
	ΔT	22	20	16	11	22	20	17	12	22	20	17	12	22	21	17	12	22	20	17	11	21	19	15	11	
	kW	2.48	2.53	2.60	2.68	2.66	2.71	2.79	2.88	2.82	2.87	2.96	3.05	2.95	3.02	3.11	3.21	3.07	3.14	3.23	3.34	3.17	3.24	3.34	3.45	
	Amps	-0.7	-0.5	-0.2	0.2	0.0	0.3	0.6	0.9	0.8	1.1	1.4	1.8	1.5	1.8	2.2	2.6	2.2	2.5	2.9	3.4	2.9	3.2	3.7	4.2	
	Hi PR	237	255	269	281	266	286	302	315	302	325	344	358	344	371	391	408	387	417	440	459	428	461	486	507	
	Lo PR	110	117	127	136	116	123	134	143	120	128	140	149	126	134	147	156	132	141	154	164	137	146	159	170	

IDB: Entering Indoor Dry Bulb Temperature  
 High and low pressures are measured at the liquid and suction access fittings.  
 Design Subcooling, 10 ± 2 °F @ the liquid access fitting connection ARI 95 test conditions. Design Superheat 9 ± 2 °F @ the compressor suction access fitting connection.  
 Shaded area reflects ACCA (TVA) conditions  
 kW = Total system power  
 Amps = outdoor unit amps (comp. + fan)

EXPANDED COOLING DATA — GPC1336M41A\* (CONT.)

IDB	AIRFLOW	OUTDOOR AMBIENT TEMPERATURE												ENTERING INDOOR WET BULB TEMPERATURE													
		65°F				75°F				85°F				95°F				105°F				115°F					
		59	63	67	71	59	63	67	71	59	63	67	71	59	63	67	71	59	63	67	71	59	63	67	71		
80	1326	MBh	35.5	36.3	38.8	41.4	34.7	35.4	37.9	40.5	33.8	34.6	37.0	39.5	33.0	33.7	36.1	38.5	31.4	32.1	34.2	36.6	29.1	29.7	31.7	33.9	
		S/T	0.94	0.88	0.71	0.53	0.97	0.91	0.74	0.55	1.00	0.93	0.76	0.57	1.00	0.96	0.78	0.59	1.00	1.00	0.81	0.61	1.00	1.00	0.82	0.61	
	ΔT	23	22	19	15	23	22	19	16	23	22	19	16	23	23	20	16	22	22	19	15	20	21	18	14		
	kW	2.58	2.63	2.71	2.79	2.76	2.82	2.91	3.00	2.93	2.99	3.08	3.18	3.07	3.14	3.24	3.34	3.20	3.27	3.37	3.48	3.30	3.37	3.48	3.60		
	Amps	-0.3	-0.1	0.3	0.6	0.5	0.7	1.0	1.4	1.3	1.6	1.9	2.4	2.1	2.3	2.7	3.2	2.8	3.1	3.5	4.0	3.5	3.8	4.3	4.8		
	Hi PR	249	268	283	295	280	301	318	331	318	342	361	377	362	390	412	429	408	439	463	483	450	485	512	534		
	Lo PR	115	123	134	143	122	130	141	151	127	135	147	157	133	141	154	164	139	148	162	172	144	153	167	178		
	1180	MBh	34.5	35.2	37.6	40.2	33.7	34.4	36.8	39.3	32.9	33.6	35.9	38.4	32.1	32.8	35.0	37.4	30.5	31.1	33.3	35.5	28.2	28.8	30.8	32.9	
		S/T	0.89	0.84	0.68	0.51	0.93	0.87	0.71	0.53	0.95	0.89	0.72	0.54	0.98	0.92	0.75	0.56	1.00	0.95	0.78	0.58	1.00	0.96	0.78	0.58	
	ΔT	24	23	20	16	24	23	20	16	24	23	20	16	24	23	20	16	24	23	20	16	22	22	19	15		
kW	2.56	2.61	2.69	2.77	2.74	2.80	2.88	2.97	2.91	2.97	3.06	3.15	3.05	3.11	3.21	3.31	3.17	3.24	3.34	3.45	3.28	3.35	3.45	3.57			
Amps	-0.4	-0.1	0.2	0.5	0.4	0.6	0.9	1.3	1.2	1.5	1.8	2.3	2.0	2.2	2.6	3.1	2.7	3.0	3.4	3.9	3.4	3.7	4.2	4.7			
Hi PR	247	266	280	292	277	298	315	328	315	339	358	373	359	386	408	425	403	434	458	478	446	480	507	528			
Lo PR	114	121	133	141	121	128	140	149	125	133	146	155	132	140	153	163	138	147	160	171	143	152	166	177			
1034	1326	MBh	31.8	32.5	34.7	37.1	31.1	31.7	33.9	36.3	30.3	31.0	33.1	35.4	29.6	30.2	32.3	34.5	28.1	28.7	30.7	32.8	26.0	26.6	28.4	30.4	
		S/T	0.86	0.81	0.66	0.49	0.89	0.84	0.68	0.51	0.92	0.86	0.70	0.52	0.94	0.89	0.72	0.54	0.98	0.92	0.75	0.56	0.99	0.93	0.75	0.56	
	ΔT	24	23	20	16	25	24	21	16	25	24	21	16	25	24	21	17	25	23	20	16	23	22	19	15		
	kW	2.50	2.55	2.62	2.70	2.68	2.73	2.82	2.90	2.84	2.90	2.98	3.08	2.98	3.04	3.13	3.23	3.10	3.16	3.26	3.37	3.20	3.27	3.37	3.48		
	Amps	-0.6	-0.4	-0.1	0.2	0.1	0.3	0.7	1.0	0.9	1.2	1.5	1.9	1.6	1.9	2.3	2.7	2.3	2.6	3.0	3.5	3.0	3.4	3.8	4.3		
	Hi PR	239	258	272	284	269	289	305	318	305	329	347	362	348	374	395	412	391	421	445	464	432	465	491	513		
	Lo PR	111	118	129	137	117	124	136	145	122	129	141	150	128	136	148	158	134	142	155	166	138	147	161	171		
	85	1326	MBh	36.1	36.8	38.6	41.1	35.3	36.0	37.7	40.2	34.4	35.1	36.8	39.2	33.6	34.2	35.9	38.3	31.9	32.5	34.1	36.4	29.6	30.1	31.6	33.7
			S/T	0.98	0.95	0.85	0.69	1.00	0.98	0.89	0.72	1.00	1.00	0.91	0.74	1.00	1.00	0.94	0.76	1.00	1.00	0.97	0.79	1.00	1.00	0.98	0.80
		ΔT	25	24	23	20	24	24	23	20	24	24	23	20	23	24	23	20	22	23	23	20	20	21	21	19	
kW		2.60	2.65	2.73	2.81	2.78	2.84	2.93	3.02	2.95	3.01	3.11	3.20	3.10	3.16	3.26	3.37	3.22	3.29	3.40	3.51	3.33	3.40	3.51	3.63		
Amps		-0.2	0.0	0.3	0.7	0.6	0.8	1.1	1.5	1.4	1.7	2.0	2.5	2.2	2.4	2.8	3.3	2.9	3.2	3.6	4.1	3.6	4.0	4.4	4.9		
Hi PR		252	271	286	298	282	304	321	335	321	346	365	381	366	394	416	434	412	443	468	488	455	489	517	539		
Lo PR		116	124	135	144	123	131	143	152	128	136	148	158	134	143	156	166	141	150	163	174	146	155	169	180		
1180		MBh	35.1	35.7	37.4	39.9	34.3	34.9	36.6	39.0	33.4	34.1	35.7	38.1	32.6	33.3	34.8	37.2	31.0	31.6	33.1	35.3	28.7	29.3	30.6	32.7	
		S/T	0.94	0.90	0.82	0.66	0.97	0.94	0.84	0.69	0.99	0.96	0.87	0.70	1.00	0.99	0.89	0.73	1.00	1.00	0.93	0.75	1.00	1.00	0.94	0.76	
ΔT		26	25	24	21	26	25	24	21	26	25	24	21	25	26	24	21	24	25	24	21	22	23	22	19		
kW	2.58	2.63	2.71	2.79	2.76	2.82	2.91	3.00	2.93	2.99	3.08	3.18	3.07	3.14	3.24	3.34	3.20	3.27	3.37	3.48	3.30	3.37	3.48	3.60			
Amps	-0.3	-0.1	0.3	0.6	0.5	0.7	1.0	1.4	1.3	1.6	1.9	2.4	2.1	2.3	2.7	3.2	2.8	3.1	3.5	4.0	3.5	3.8	4.3	4.8			
Hi PR	249	268	283	295	280	301	318	331	318	342	361	377	362	390	412	429	408	439	463	483	450	485	512	534			
Lo PR	115	123	134	143	122	130	141	151	127	135	147	157	133	141	154	164	139	148	162	172	144	153	167	178			
1034	MBh	32.4	33.0	34.6	36.9	31.6	32.2	33.8	36.0	30.9	31.5	32.9	35.1	30.1	30.7	32.1	34.3	28.6	29.2	30.5	32.6	26.5	27.0	28.3	30.2		
	S/T	0.90	0.87	0.79	0.64	0.94	0.90	0.81	0.66	0.96	0.93	0.84	0.68	0.99	0.96	0.86	0.70	1.00	0.99	0.89	0.73	1.00	1.00	0.90	0.73		
ΔT	26	26	24	21	26	26	24	21	26	26	24	21	27	26	25	21	25	26	24	21	24	24	23	20			
kW	2.52	2.57	2.64	2.72	2.70	2.75	2.84	2.93	2.86	2.92	3.01	3.10	3.00	3.06	3.16	3.26	3.12	3.19	3.29	3.39	3.22	3.29	3.40	3.51			
Amps	-0.5	-0.3	-0.0	0.3	0.2	0.4	0.7	1.1	1.0	1.3	1.6	2.0	1.7	2.0	2.4	2.8	2.5	2.7	3.2	3.6	3.2	3.5	3.9	4.4			
Hi PR	242	260	275	287	271	292	308	321	308	332	351	366	351	378	399	416	395	425	449	469	437	470	496	518			
Lo PR	112	119	130	138	118	126	137	146	123	131	143	152	129	137	150	160	135	144	157	167	140	149	162	173			

IDB: Entering Indoor Dry Bulb Temperature  
 High and low pressures are measured at the liquid and suction access fittings.  
 Design Subcooling, 10 ± 2 °F @ the liquid access fitting connection ARI 95 test conditions. Design Superheat 9 ± 2 °F @ the compressor suction access fitting connection.

Shaded area reflects AHRI (TVA) conditions

kW = Total system power  
 Amps = outdoor unit amps (comp. + fan)

EXPANDED COOLING DATA — GPC1336M41C\*

IDB	AIRFLOW	OUTDOOR AMBIENT TEMPERATURE												ENTERING INDOOR WET BULB TEMPERATURE												
		65°F				75°F				85°F				95°F				105°F				115°F				
		59	63	67	71	59	63	67	71	59	63	67	71	59	63	67	71	59	63	67	71	59	63	67	71	
70	1235	MBh	33.3	34.5	37.8	-	32.5	33.7	36.9	-	31.7	32.9	36.1	-	31.0	32.1	35.2	-	29.4	30.5	33.4	-	27.3	28.3	31.0	-
		S/T	0.70	0.59	0.41	-	0.73	0.61	0.42	-	0.75	0.62	0.43	-	0.77	0.64	0.45	-	0.80	0.67	0.46	-	0.81	0.67	0.47	-
		ΔT	17	15	11	-	18	15	12	-	18	15	12	-	18	15	12	-	18	15	12	-	16	14	11	-
		kW	2.48	2.53	2.61	-	2.66	2.71	2.80	-	2.82	2.88	2.97	-	2.96	3.02	3.11	-	3.08	3.14	3.24	-	3.18	3.25	3.35	-
		Amps	10.6	10.9	11.1	-	11.3	11.6	11.9	-	12.2	12.4	12.7	-	12.9	13.1	13.5	-	13.6	13.8	14.2	-	14.2	14.5	15.0	-
	1180	HI PR	236	254	268	-	265	285	301	-	301	324	342	-	343	369	390	-	386	415	438	-	426	459	484	-
		LO PR	107	114	125	-	114	121	132	-	118	126	137	-	124	132	144	-	130	138	151	-	134	143	156	-
		MBh	33.3	34.5	37.8	-	32.5	33.7	36.9	-	31.7	32.9	36.1	-	31.0	32.1	35.2	-	29.4	30.5	33.4	-	27.3	28.3	31.0	-
		S/T	0.70	0.59	0.41	-	0.73	0.61	0.42	-	0.75	0.62	0.43	-	0.77	0.64	0.45	-	0.80	0.67	0.46	-	0.81	0.67	0.47	-
		ΔT	18	16	12	-	18	16	12	-	18	16	12	-	19	16	12	-	18	16	12	-	17	15	11	-
965	kW	2.48	2.53	2.61	-	2.66	2.71	2.80	-	2.82	2.88	2.97	-	2.96	3.02	3.11	-	3.08	3.14	3.24	-	3.18	3.25	3.35	-	
	Amps	10.6	10.9	11.1	-	11.3	11.6	11.9	-	12.2	12.4	12.7	-	12.9	13.1	13.5	-	13.6	13.8	14.2	-	14.2	14.5	15.0	-	
	HI PR	236	254	268	-	265	285	301	-	301	324	342	-	343	369	390	-	386	415	438	-	426	459	484	-	
	LO PR	107	114	125	-	114	121	132	-	118	126	137	-	124	132	144	-	130	138	151	-	134	143	156	-	
	MBh	30.7	31.9	34.9	-	30.0	31.1	34.1	-	29.3	30.4	33.3	-	28.6	29.6	32.5	-	27.2	28.2	30.8	-	25.2	26.1	28.6	-	
75	1235	S/T	0.80	0.71	0.54	0.35	0.83	0.74	0.56	0.36	0.85	0.76	0.57	0.37	0.88	0.78	0.59	0.38	0.91	0.81	0.62	0.40	0.92	0.82	0.62	0.40
		ΔT	20	19	15	10	20	19	15	11	20	19	15	11	21	19	15	11	20	19	15	11	19	17	14	10
		kW	2.50	2.55	2.63	2.71	2.68	2.74	2.82	2.91	2.84	2.90	2.99	3.08	2.98	3.04	3.14	3.24	3.10	3.17	3.27	3.37	3.20	3.27	3.38	3.49
		Amps	10.7	10.9	11.2	11.6	11.4	11.7	12.0	12.4	12.2	12.5	12.8	13.3	13.0	13.2	13.6	14.0	13.7	13.9	14.3	14.8	14.4	14.7	15.1	15.6
		HI PR	238	257	271	283	267	288	304	317	304	327	346	361	346	373	394	411	390	419	443	462	431	463	489	510
	1180	LO PR	109	115	126	134	115	122	133	142	119	127	138	147	125	133	145	155	131	140	152	162	136	144	158	168
		MBh	33.9	34.9	37.7	40.5	33.1	34.1	36.9	39.6	32.3	33.2	36.0	38.6	31.5	32.4	35.1	37.7	29.9	30.8	33.3	35.8	27.7	28.5	30.9	33.2
		S/T	0.80	0.71	0.54	0.35	0.83	0.74	0.56	0.36	0.85	0.76	0.57	0.37	0.88	0.78	0.59	0.38	0.91	0.81	0.62	0.40	0.92	0.82	0.62	0.40
		ΔT	21	19	16	11	21	20	16	11	21	20	16	11	21	20	16	11	21	20	16	11	20	18	15	10
		kW	2.50	2.55	2.63	2.71	2.68	2.74	2.82	2.91	2.84	2.90	2.99	3.08	2.98	3.04	3.14	3.24	3.10	3.17	3.27	3.37	3.20	3.27	3.38	3.49
965	Amps	10.7	10.9	11.2	11.6	11.4	11.7	12.0	12.4	12.2	12.5	12.8	13.3	13.0	13.2	13.6	14.0	13.7	13.9	14.3	14.8	14.4	14.7	15.1	15.6	
	HI PR	238	257	271	283	267	288	304	317	304	327	346	361	346	373	394	411	390	419	443	462	431	463	489	510	
	LO PR	109	115	126	134	115	122	133	142	119	127	138	147	125	133	145	155	131	140	152	162	136	144	158	168	
	MBh	31.3	32.2	34.8	37.4	30.5	31.4	34.0	36.5	29.8	30.7	33.2	35.6	29.1	29.9	32.4	34.8	27.6	28.4	30.8	33.0	25.6	26.3	28.5	30.6	
	S/T	0.77	0.69	0.52	0.34	0.80	0.71	0.54	0.35	0.82	0.73	0.55	0.36	0.84	0.75	0.57	0.37	0.88	0.78	0.59	0.38	0.88	0.79	0.60	0.38	
965	ΔT	23	21	17	12	23	21	17	12	23	21	18	12	23	22	18	12	23	21	17	12	22	20	16	11	
	kW	2.44	2.49	2.57	2.64	2.62	2.67	2.75	2.84	2.77	2.83	2.92	3.01	2.91	2.97	3.06	3.16	3.03	3.09	3.19	3.29	3.13	3.19	3.30	3.40	
	Amps	10.5	10.7	11.0	11.3	11.2	11.4	11.7	12.1	12.0	12.2	12.5	12.9	12.7	12.9	13.3	13.7	13.3	13.6	14.0	14.5	14.0	14.3	14.7	15.2	
	HI PR	231	249	263	274	259	279	295	307	295	318	335	350	336	362	382	398	378	406	440	448	418	450	475	495	
	LO PR	105	112	122	130	111	118	129	138	116	123	134	143	121	129	141	150	127	135	148	157	132	140	153	163	

IDB: Entering Indoor Dry Bulb Temperature  
 High and low pressures are measured at the liquid and suction access fittings.  
 Design Subcooling, 10 ± 2 °F @ the liquid access fitting connection ARI 95 test conditions. Design Superheat 9 ± 2 °F @ the compressor suction access fitting connection.

Shaded area reflects ACCA (TVA) conditions  
 kW = Total system power  
 Amps = outdoor unit amps (comp. + fan)

EXPANDED COOLING DATA — GPC1336M41C\* (CONT.)

IDB	AIRFLOW	OUTDOOR AMBIENT TEMPERATURE												ENTERING INDOOR WET BULB TEMPERATURE													
		65°F				75°F				85°F				95°F				105°F				115°F					
		59	63	67	71	59	63	67	71	59	63	67	71	59	63	67	71	59	63	67	71	59	63	67	71		
80	1235	MBh	34.5	35.2	37.6	40.2	33.7	34.4	36.8	39.3	32.9	33.6	35.9	38.4	32.1	32.8	35.0	37.4	30.5	31.1	33.3	35.5	28.2	28.8	30.8	32.9	
		S/T	0.88	0.82	0.67	0.50	0.91	0.85	0.69	0.52	0.93	0.87	0.71	0.53	0.96	0.90	0.73	0.55	1.00	0.93	0.76	0.57	1.00	0.94	0.77	0.57	
	ΔT	22	22	19	15	23	22	19	15	23	22	19	15	23	22	19	15	23	22	19	15	21	20	18	14		
	kW	2.52	2.57	2.65	2.73	2.70	2.76	2.84	2.93	2.86	2.92	3.01	3.11	3.01	3.07	3.17	3.27	3.13	3.19	3.29	3.40	3.23	3.30	3.41	3.52		
	Amps	10.8	11.0	11.3	11.7	11.5	11.7	12.1	12.4	12.3	12.6	12.9	13.4	13.1	13.3	13.7	14.2	13.8	14.1	14.5	14.9	14.5	14.8	15.2	15.7		
	HI PR	241	259	274	285	270	291	307	320	307	331	349	364	350	377	398	415	394	424	447	467	435	468	494	516		
	LO PR	110	117	127	136	116	123	135	143	120	128	140	149	126	135	147	156	133	141	154	164	137	146	159	170		
	965	MBh	31.8	32.5	34.7	37.1	31.1	31.7	33.9	36.3	30.3	31.0	33.1	35.4	29.6	30.2	32.3	34.5	28.1	28.7	30.7	32.8	26.0	26.6	28.4	30.4	
		S/T	0.84	0.79	0.64	0.48	0.87	0.82	0.67	0.50	0.90	0.84	0.68	0.51	0.93	0.87	0.71	0.53	0.96	0.90	0.73	0.55	0.97	0.91	0.74	0.55	
	85	1235	ΔT	26	25	21	17	26	25	22	17	26	25	22	17	26	25	22	17	26	25	21	17	24	23	20	16
kW			2.46	2.51	2.59	2.66	2.64	2.69	2.77	2.86	2.80	2.85	2.94	3.03	2.93	3.00	3.09	3.19	3.05	3.12	3.21	3.32	3.15	3.22	3.32	3.43	
Amps		10.6	10.8	11.1	11.4	11.3	11.5	11.8	12.2	12.1	12.3	12.6	13.0	12.8	13.0	13.4	13.8	13.4	13.7	14.1	14.6	14.1	14.4	14.8	15.3		
HI PR		234	251	265	277	262	282	298	311	298	321	339	353	339	365	386	402	382	411	434	453	422	454	479	500		
LO PR		106	113	124	132	112	120	131	139	117	124	136	144	123	131	142	152	129	137	149	159	133	141	154	165		
965		MBh	35.1	35.7	37.4	39.9	34.3	34.9	36.6	39.0	33.4	34.1	35.7	38.1	32.6	33.3	34.8	37.2	31.0	31.6	33.1	35.3	28.7	29.3	30.6	32.7	
		S/T	0.92	0.89	0.80	0.65	0.95	0.92	0.83	0.67	0.98	0.94	0.85	0.69	1.00	0.97	0.88	0.71	1.00	1.00	0.91	0.74	1.00	1.00	0.92	0.74	
85		1235	ΔT	24	24	22	19	24	24	23	20	24	24	23	20	24	24	23	20	23	24	22	19	21	22	21	18
			kW	2.54	2.59	2.67	2.75	2.72	2.78	2.86	2.95	2.89	2.95	3.04	3.13	3.03	3.09	3.19	3.29	3.15	3.22	3.32	3.43	3.26	3.33	3.43	3.55
		Amps	10.9	11.1	11.4	11.7	11.6	11.8	12.2	12.5	12.4	12.7	13.0	13.5	13.2	13.4	13.8	14.3	13.9	14.2	14.6	15.1	14.6	14.9	15.3	15.8	
	HI PR	243	262	276	288	273	294	310	323	310	334	353	368	353	380	402	419	398	428	452	471	439	473	499	521		
	LO PR	111	118	129	137	117	124	136	145	122	129	141	150	128	136	148	158	134	142	155	166	138	147	161	171		
	965	MBh	32.4	33.0	34.6	36.9	31.6	32.2	33.8	36.0	30.9	31.5	32.9	35.1	30.1	30.7	32.1	34.3	28.6	29.2	30.5	32.6	26.5	27.0	28.3	30.2	
		S/T	0.88	0.85	0.77	0.63	0.92	0.88	0.80	0.65	0.94	0.91	0.82	0.66	0.97	0.94	0.85	0.69	1.00	0.97	0.88	0.71	1.00	0.98	0.88	0.72	
	85	965	ΔT	27	27	25	22	28	27	26	22	28	27	26	22	28	27	26	22	27	27	26	22	25	25	24	21
			kW	2.48	2.53	2.61	2.68	2.66	2.71	2.80	2.88	2.82	2.88	2.96	3.06	2.96	3.02	3.11	3.21	3.08	3.14	3.24	3.34	3.18	3.25	3.35	3.46
		Amps	10.6	10.9	11.1	11.5	11.3	11.6	11.9	12.3	12.2	12.4	12.7	13.1	12.8	13.1	13.5	13.9	13.5	13.8	14.2	14.7	14.2	14.5	15.0	15.5	
HI PR		236	254	268	280	265	285	301	314	301	324	342	357	343	369	390	406	386	415	438	457	426	459	484	505		
LO PR		107	114	125	133	114	121	132	140	118	126	137	146	124	132	144	153	130	138	151	161	134	143	156	166		

IDB: Entering Indoor Dry Bulb Temperature  
 High and low pressures are measured at the liquid and suction access fittings.  
 Design Subcooling, 10 ± 2 °F @ the liquid access fitting connection ARI 95 test conditions. Design Superheat 9 ± 2 °F @ the compressor suction access fitting connection.

Shaded area reflects AHRI (TVA) conditions  
 kW = Total system power  
 Amps = outdoor unit amps (comp. + fan)



EXPANDED COOLING DATA — GPC1348M41A\*

IDB	AIRFLOW	OUTDOOR AMBIENT TEMPERATURE																																																
		65°F						75°F						85°F						95°F						105°F						115°F																		
		59	63	67	71	71	71	59	63	67	71	71	71	59	63	67	71	71	71	59	63	67	71	71	71	59	63	67	71	71	71	59	63	67	71	71	71													
70	1911	MIBh	44.6	46.2	50.6	-	43.5	45.1	49.5	-	42.5	44.1	48.3	-	41.5	43.0	47.1	-	39.4	40.8	44.7	-	36.5	37.8	41.4	-	44.6	46.2	50.6	-	43.5	45.1	49.5	-	42.5	44.1	48.3	-	41.5	43.0	47.1	-	39.4	40.8	44.7	-	36.5	37.8	41.4	-
		S/T	0.80	0.66	0.46	-	0.82	0.69	0.48	-	0.84	0.71	0.49	-	0.87	0.73	0.50	-	0.91	0.76	0.52	-	0.91	0.76	0.53	-	0.80	0.66	0.46	-	0.82	0.69	0.48	-	0.84	0.71	0.49	-	0.87	0.73	0.50	-	0.91	0.76	0.52	-	0.91	0.76	0.53	-
		ΔT	17	15	11	-	17	15	11	-	17	15	11	-	17	15	11	-	17	15	11	-	17	15	11	-	17	15	11	-	17	15	11	-	17	15	11	-	17	15	11	-	17	15	11	-	17	15	11	-
		kW	3.23	3.30	3.39	-	3.46	3.53	3.64	-	3.67	3.74	3.85	-	3.84	3.92	4.04	-	4.00	4.08	4.21	-	4.00	4.08	4.21	-	3.23	3.30	3.39	-	3.46	3.53	3.64	-	3.67	3.74	3.85	-	3.84	3.92	4.04	-	4.00	4.08	4.21	-	4.00	4.08	4.21	-
		Amps	16.0	16.3	16.7	-	17.0	17.3	17.7	-	18.0	18.4	18.8	-	19.0	19.3	19.8	-	19.9	20.3	20.8	-	19.9	20.3	20.8	-	16.0	16.3	16.7	-	17.0	17.3	17.7	-	18.0	18.4	18.8	-	19.0	19.3	19.8	-	19.9	20.3	20.8	-	19.9	20.3	20.8	-
	1700	MIBh	43.3	44.9	49.2	-	42.3	43.8	48.0	-	41.3	42.8	46.9	-	40.3	41.7	45.7	-	38.3	39.6	43.4	-	35.4	36.7	40.2	-	43.3	44.9	49.2	-	42.3	43.8	48.0	-	41.3	42.8	46.9	-	40.3	41.7	45.7	-	38.3	39.6	43.4	-	35.4	36.7	40.2	-
		S/T	0.76	0.63	0.44	-	0.79	0.66	0.45	-	0.81	0.67	0.47	-	0.83	0.69	0.48	-	0.86	0.72	0.50	-	0.86	0.72	0.50	-	0.76	0.63	0.44	-	0.79	0.66	0.45	-	0.81	0.67	0.47	-	0.83	0.69	0.48	-	0.86	0.72	0.50	-	0.86	0.72	0.50	-
		ΔT	18	15	12	-	18	16	12	-	18	16	12	-	18	16	12	-	18	15	12	-	18	15	12	-	18	15	12	-	18	16	12	-	18	16	12	-	18	16	12	-	18	15	12	-	18	15	12	-
		kW	3.21	3.27	3.37	-	3.44	3.51	3.61	-	3.64	3.71	3.82	-	3.81	3.89	4.01	-	3.96	4.05	4.17	-	3.96	4.05	4.17	-	3.21	3.27	3.37	-	3.44	3.51	3.61	-	3.64	3.71	3.82	-	3.81	3.89	4.01	-	3.96	4.05	4.17	-	3.96	4.05	4.17	-
		Amps	15.9	16.2	16.6	-	16.8	17.1	17.6	-	17.9	18.2	18.7	-	18.9	19.2	19.7	-	19.8	20.2	20.7	-	19.8	20.2	20.7	-	15.9	16.2	16.6	-	16.8	17.1	17.6	-	17.9	18.2	18.7	-	18.9	19.2	19.7	-	19.8	20.2	20.7	-	19.8	20.2	20.7	-
1490	MIBh	40.0	41.4	45.4	-	39.0	40.4	44.3	-	38.1	39.5	43.3	-	37.2	38.5	42.2	-	35.3	36.6	40.1	-	32.7	33.9	37.1	-	40.0	41.4	45.4	-	39.0	40.4	44.3	-	38.1	39.5	43.3	-	37.2	38.5	42.2	-	35.3	36.6	40.1	-	32.7	33.9	37.1	-	
	S/T	0.73	0.61	0.42	-	0.76	0.63	0.44	-	0.78	0.65	0.45	-	0.80	0.67	0.46	-	0.83	0.70	0.48	-	0.84	0.70	0.49	-	0.73	0.61	0.42	-	0.76	0.63	0.44	-	0.78	0.65	0.45	-	0.80	0.67	0.46	-	0.83	0.70	0.48	-	0.84	0.70	0.49	-	
	ΔT	18	16	12	-	18	16	12	-	18	16	12	-	18	16	12	-	18	16	12	-	18	16	12	-	18	16	12	-	18	16	12	-	18	16	12	-	18	16	12	-	18	16	12	-	18	16	12	-	
	kW	3.14	3.20	3.29	-	3.36	3.43	3.53	-	3.55	3.63	3.74	-	3.73	3.80	3.92	-	3.87	3.95	4.07	-	3.87	3.95	4.07	-	3.14	3.20	3.29	-	3.36	3.43	3.53	-	3.55	3.63	3.74	-	3.73	3.80	3.92	-	3.87	3.95	4.07	-	3.87	3.95	4.07	-	
	Amps	15.6	15.9	16.2	-	16.5	16.8	17.2	-	17.5	17.9	18.3	-	18.5	18.8	19.3	-	19.4	19.7	20.2	-	19.4	19.7	20.2	-	15.6	15.9	16.2	-	16.5	16.8	17.2	-	17.5	17.9	18.3	-	18.5	18.8	19.3	-	19.4	19.7	20.2	-	19.4	19.7	20.2	-	
75	1911	MIBh	45.3	46.7	50.5	54.2	44.3	45.6	49.4	53.0	43.2	44.5	48.2	51.7	42.2	43.4	47.0	50.4	40.1	41.3	44.7	47.9	37.1	38.2	41.4	44.4	45.3	46.7	50.5	54.2	44.3	45.6	49.4	53.0	43.2	44.5	48.2	51.7	42.2	43.4	47.0	50.4	40.1	41.3	44.7	47.9	37.1	38.2	41.4	44.4
		S/T	0.90	0.81	0.61	0.39	0.94	0.84	0.63	0.41	0.96	0.86	0.65	0.42	0.99	0.89	0.67	0.43	1.00	0.92	0.70	0.45	1.00	0.92	0.70	0.45	0.90	0.81	0.61	0.39	0.94	0.84	0.63	0.41	0.96	0.86	0.65	0.42	0.99	0.89	0.67	0.43	1.00	0.92	0.70	0.45	1.00	0.92	0.70	0.45
		ΔT	20	18	15	10	20	18	15	10	20	18	15	10	20	19	15	10	10	19	15	10	10	18	17	14	10	20	18	15	10	20	18	15	10	20	19	15	10	10	19	15	10	10	18	17	14	10		
		kW	3.26	3.32	3.42	3.52	3.49	3.56	3.67	3.78	3.69	3.77	3.88	4.00	3.87	3.95	4.08	4.21	4.03	4.11	4.24	4.38	4.16	4.25	4.38	4.52	3.26	3.32	3.42	3.52	3.49	3.56	3.67	3.78	3.69	3.77	3.88	4.00	3.87	3.95	4.08	4.21	4.03	4.11	4.24	4.38	4.16	4.25	4.38	4.52
		Amps	16.1	16.4	16.8	17.3	17.1	17.4	17.8	18.3	18.2	18.5	19.0	19.5	19.1	19.5	20.0	20.6	20.1	20.5	21.0	21.6	21.0	21.5	22.0	22.7	16.1	16.4	16.8	17.3	17.1	17.4	17.8	18.3	18.2	18.5	19.0	19.5	19.1	19.5	20.0	20.6	20.1	20.5	21.0	21.6	21.0	21.5	22.0	22.7
	1700	MIBh	44.0	45.3	49.1	52.7	43.0	44.3	47.9	51.4	42.0	43.2	46.8	50.2	41.0	42.2	45.6	49.0	38.9	40.1	43.4	46.5	36.0	37.1	40.2	43.1	44.0	45.3	49.1	52.7	43.0	44.3	47.9	51.4	42.0	43.2	46.8	50.2	41.0	42.2	45.6	49.0	38.9	40.1	43.4	46.5	36.0	37.1	40.2	43.1
		S/T	0.86	0.77	0.58	0.38	0.89	0.80	0.60	0.39	0.92	0.82	0.62	0.40	0.95	0.85	0.64	0.41	0.98	0.88	0.66	0.43	0.99	0.89	0.67	0.43	0.86	0.77	0.58	0.38	0.89	0.80	0.60	0.39	0.92	0.82	0.62	0.40	0.95	0.85	0.64	0.41	0.98	0.88	0.66	0.43	0.99	0.89	0.67	0.43
		ΔT	21	19	15	11	21	19	16	11	21	19	16	11	21	20	16	11	21	20	16	11	21	20	16	11	21	19	15	11	21	19	16	11	21	20	16	11	21	20	16	11	21	20	16	11	21	20	16	11
		kW	3.23	3.30	3.39	3.49	3.46	3.53	3.64	3.75	3.67	3.74	3.85	3.97	3.84	3.92	4.04	4.17	4.00	4.08	4.21	4.34	4.13	4.21	4.35	4.49	3.23	3.30	3.39	3.49	3.46	3.53	3.64	3.75	3.67	3.74	3.85	3.97	3.84	3.92	4.04	4.17	4.00	4.08	4.21	4.34	4.13	4.21	4.35	4.49
		Amps	16.0	16.3	16.7	17.1	17.0	17.3	17.7	18.2	18.0	18.4	18.8	19.4	19.0	19.3	19.8	20.4	19.9	20.3	20.8	21.5	20.9	21.3	21.8	22.5	16.0	16.3	16.7	17.1	17.0	17.3	17.7	18.2	18.0	18.4	18.8	19.4	19.0	19.3	19.8	20.4	19.9	20.3	20.8	21.5	20.9	21.3	21.8	22.5
1490	MIBh	40.6	41.8	45.3	48.6	39.7	40.9	44.2	47.5	38.7	39.9	43.2	46.3	37.8	38.9	42.1	45.2	35.9	37.0	40.0	42.9	33.3	34.2	37.1	39.8	40.6	41.8	45.3	48.6	39.7	40.9	44.2	47.5	38.7	39.9	43.2	46.3	37.8	38.9	42.1	45.2	35.9	37.0	40.0	42.9	33.3	34.2	37.1	39.8	
	S/T	0.83	0.74	0.56	0.36	0.86	0.77	0.58	0.38	0.88	0.79	0.60	0.38	0.91	0.82	0.62	0.40	0.95	0.85	0.64	0.41	0.95	0.85	0.64	0.41	0.83	0.74	0.56	0.36	0.86	0.77	0.58	0.38	0.88	0.79	0.60	0.38	0.91	0.82	0.62	0.40	0.95	0.85	0.64	0.41	0.95	0.85	0.64	0.41	
	ΔT	21	19	16	11	21	19	16	11	21	19	16	11	21	20	16	11	21	20	16	11	21	20	16	11	21	19	16	11	21	19	16	11	21	20	16	11	21	20	16	11	21	20	16	11	21	20	16	11	
	kW	3.16	3.22	3.32	3.42	3.39	3.45	3.55	3.66	3.58	3.65	3.76	3.88	3.76	3.83	3.95	4.07	3.90	3.98	4.11	4.24	4.03	4.11	4.24	4.38	3.16	3.22	3.32	3.42	3.39	3.45	3.55	3.66	3.58	3.65	3.76	3.88	3.76	3.83	3.95	4.07	3.90	3.98	4.11	4.24	4.03	4.11	4.24	4.38	
	Amps	15.																																																



EXPANDED COOLING DATA — GPC1348M41A\* (CONT.)

IDB	AIRFLOW	OUTDOOR AMBIENT TEMPERATURE																								
		65°F				75°F				85°F				95°F				105°F				115°F				
		59	63	67	71	59	63	67	71	59	63	67	71	59	63	67	71	59	63	67	71	59	63	67	71	
80	1911	MBh	46.1	47.2	50.4	53.9	45.1	46.1	49.2	52.6	44.0	45.0	48.0	51.4	42.9	43.9	46.9	50.1	40.8	41.7	44.5	47.6	37.8	38.6	41.2	44.1
		S/T	1.00	0.93	0.76	0.57	1.00	0.96	0.78	0.59	1.00	1.00	0.80	0.60	1.00	1.00	0.83	0.62	1.00	1.00	0.86	0.64	1.00	1.00	0.87	0.65
		ΔT	22	21	18	15	22	21	19	15	21	22	19	15	21	21	19	15	20	20	20	18	15	18	19	17
		kW	3.28	3.35	3.44	3.55	3.52	3.59	3.69	3.81	3.72	3.80	3.91	4.04	3.90	3.99	4.11	4.24	4.06	4.05	4.15	4.27	4.41	4.19	4.28	4.42
		Amps	16.2	16.5	16.9	17.4	17.2	17.5	17.9	18.4	18.3	18.6	19.1	19.7	19.3	19.6	20.1	20.7	20.2	20.2	20.6	21.2	21.8	21.2	21.6	22.2
	1700	HI PR	248	267	281	294	278	299	316	329	316	340	359	375	360	387	409	427	405	436	460	480	447	482	508	
		LO PR	118	125	137	146	125	133	145	154	130	138	150	160	136	145	158	168	143	152	166	176	147	157	171	
		MBh	44.8	45.8	48.9	52.3	43.8	44.7	47.8	51.1	42.7	43.7	46.6	49.9	41.7	42.6	45.5	48.6	39.6	40.5	43.2	46.2	36.7	37.5	40.0	
		S/T	0.95	0.89	0.72	0.54	0.98	0.92	0.75	0.56	1.00	0.94	0.77	0.57	1.00	0.97	0.79	0.59	1.00	1.00	0.82	0.61	1.00	1.00	0.83	
		ΔT	23	22	19	15	23	22	19	15	23	22	19	15	23	22	19	16	21	22	22	19	15	20	20	
1490	kW	3.26	3.32	3.42	3.52	3.49	3.56	3.67	3.78	3.69	3.77	3.88	4.01	3.87	3.95	4.08	4.21	4.03	4.11	4.24	4.38	4.16	4.25	4.38		
	Amps	16.1	16.4	16.8	17.3	17.1	17.4	17.8	18.3	18.2	18.5	19.0	19.5	19.1	19.5	20.0	20.6	20.1	20.5	21.0	21.6	21.0	21.4	22.0		
	HI PR	245	264	279	291	275	296	313	326	313	337	356	371	356	384	405	422	401	431	456	475	443	477	503		
	LO PR	117	124	136	144	123	131	143	153	128	136	149	159	135	143	156	167	141	150	164	175	146	155	170		
	MBh	41.4	42.3	45.1	48.3	40.4	41.3	44.1	47.1	39.4	40.3	43.0	46.0	38.5	39.3	42.0	44.9	36.5	37.3	39.9	42.6	33.9	34.6	37.0		
85	1911	S/T	0.91	0.85	0.70	0.52	0.94	0.89	0.72	0.54	0.97	0.91	0.74	0.55	1.00	0.94	0.76	0.57	1.04	0.97	0.79	0.59	1.05	0.98	0.80	
		ΔT	23	22	19	15	24	23	20	16	24	23	20	16	24	23	20	16	23	22	20	16	22	21	18	
		kW	3.19	3.25	3.34	3.44	3.41	3.48	3.58	3.69	3.61	3.68	3.79	3.91	3.78	3.86	3.98	4.11	3.93	4.02	4.14	4.27	4.06	4.15	4.28	
		Amps	15.8	16.1	16.5	16.9	16.7	17.0	17.4	17.9	17.8	18.1	18.6	19.1	18.7	19.1	19.6	20.1	19.6	20.0	20.5	21.2	20.5	20.9	21.5	
		HI PR	238	256	270	282	267	287	303	316	304	327	345	360	346	372	393	410	389	419	442	461	430	462	488	
	1700	LO PR	113	121	132	140	120	127	139	148	124	132	144	154	131	139	152	162	137	146	159	169	142	151	165	
		MBh	47.0	47.9	50.1	53.5	45.9	46.7	49.0	52.2	44.8	45.6	47.8	51.0	43.7	44.5	46.6	49.7	41.5	42.3	44.3	47.3	38.4	39.2	41.0	
		S/T	1.00	1.00	0.90	0.73	1.00	1.00	0.94	0.76	1.00	1.00	0.96	0.78	1.00	1.00	0.99	0.81	1.00	1.00	0.98	0.80	1.00	1.00	0.99	
		ΔT	23	23	22	19	22	22	22	19	22	22	22	19	21	21	22	19	20	20	20	19	18	19	20	
		kW	3.31	3.37	3.47	3.57	3.54	3.61	3.72	3.84	3.75	3.83	3.94	4.07	3.94	4.02	4.14	4.27	4.09	4.18	4.31	4.45	4.23	4.32	4.45	
1490	Amps	16.3	16.6	17.0	17.5	17.3	17.6	18.1	18.6	18.4	18.8	19.2	19.8	19.4	19.8	20.3	20.9	20.4	20.8	21.3	22.0	21.3	21.7	22.3		
	HI PR	250	269	284	296	281	302	319	333	319	344	363	378	364	391	413	431	409	440	465	485	452	486	514		
	LO PR	119	127	138	147	126	134	146	156	131	139	152	162	137	146	160	170	144	153	167	178	149	158	173		
	MBh	45.6	46.5	48.7	51.9	44.5	45.4	47.5	50.7	43.5	44.3	46.4	49.5	42.4	43.2	45.3	48.3	40.3	41.1	43.0	45.9	37.3	38.0	39.8		
	S/T	0.99	0.96	0.86	0.70	1.00	0.99	0.89	0.73	1.00	1.00	0.92	0.74	1.00	1.00	0.95	0.77	1.00	1.00	0.98	0.80	1.00	1.00	0.99		
85	1700	ΔT	24	24	23	20	24	24	23	20	24	24	23	20	23	23	20	22	22	22	23	20	20	21		
		kW	3.28	3.35	3.44	3.55	3.52	3.59	3.69	3.81	3.72	3.80	3.91	4.04	3.90	3.99	4.11	4.24	4.06	4.15	4.27	4.41	4.19	4.28		
		Amps	16.2	16.5	16.9	17.4	17.2	17.5	17.9	18.4	18.3	18.6	19.1	19.7	19.3	19.6	20.1	20.7	20.2	20.6	21.2	21.8	21.2	21.6		
		HI PR	248	267	281	294	278	299	316	329	316	340	359	375	360	387	409	427	405	436	460	480	447	482		
		LO PR	118	125	137	146	125	133	145	154	130	138	150	160	136	145	158	168	143	152	166	176	147	157		
	1490	MBh	42.1	42.9	44.9	47.9	41.1	41.9	43.9	46.8	40.1	40.9	42.8	45.7	39.1	39.9	41.8	44.6	37.2	37.9	39.7	42.4	34.4	35.1		
		S/T	0.96	0.92	0.83	0.68	0.99	0.96	0.86	0.70	1.00	0.98	0.88	0.72	1.00	1.00	0.91	0.74	1.00	1.00	0.95	0.77	1.00	1.00		
		ΔT	25	24	23	20	25	25	23	20	25	25	23	20	24	25	24	20	23	23	23	20	21	22		
		kW	3.21	3.27	3.37	3.47	3.44	3.50	3.61	3.72	3.64	3.71	3.82	3.94	3.81	3.89	4.01	4.14	3.96	4.05	4.17	4.30	4.09	4.18		
		Amps	15.9	16.2	16.6	17.0	16.8	17.1	17.6	18.1	17.9	18.2	18.7	19.2	18.8	19.2	19.7	20.3	19.8	20.2	20.7	21.3	20.7	21.1		
HI PR	240	259	273	285	270	290	306	319	307	330	348	363	349	376	397	414	393	423	446	466	434	467				
LO PR	114	122	133	142	121	129	140	150	126	134	146	155	132	140	153	163	138	147	161	171	143	152				

IDB: Entering Indoor Dry Bulb Temperature  
 High and low pressures are measured at the liquid and suction access fittings.  
 Design Subcooling, 10 ± 2 °F @ the liquid access fitting connection ARI 95 test conditions. Design Superheat 10± 2 °F @ the compressor suction access fitting connection.

Shaded area reflects AHRI (TVA) conditions  
 kW = Total system power  
 Amps = outdoor unit amps (comp. + fan)

EXPANDED COOLING DATA — GPC1348M41C\*

IDB	AIRFLOW	OUTDOOR AMBIENT TEMPERATURE												ENTERING INDOOR WET BULB TEMPERATURE											
		65°F				75°F				85°F				95°F				105°F				115°F			
		59	63	67	71	59	63	67	71	59	63	67	71	59	63	67	71	59	63	67	71	59	63	67	71
70	MIBh	44.6	46.2	50.6	-	43.5	45.1	49.5	-	42.5	44.1	48.3	-	41.5	43.0	47.1	-	39.4	40.8	44.7	-	36.5	37.8	41.4	-
	S/T	0.81	0.68	0.47	-	0.84	0.70	0.49	-	0.86	0.72	0.50	-	0.89	0.75	0.52	-	0.93	0.77	0.54	-	0.93	0.78	0.54	-
	ΔT	18	15	12	-	18	16	12	-	18	16	12	-	18	16	12	-	18	15	12	-	17	14	11	-
	kW	3.12	3.19	3.28	-	3.35	3.42	3.53	-	3.56	3.63	3.74	-	3.73	3.81	3.94	-	3.89	3.97	4.10	-	4.02	4.11	4.24	-
	Amps	14.9	15.2	15.6	-	15.9	16.2	16.6	-	16.9	17.2	17.7	-	17.8	18.1	18.7	-	18.8	19.1	19.7	-	19.7	20.1	20.6	-
	HI PR	241	260	274	-	271	291	308	-	308	331	350	-	351	378	399	-	395	425	449	-	436	469	496	-
	LO PR	111	118	129	-	118	125	137	-	122	130	142	-	128	137	149	-	135	143	156	-	139	148	162	-
	MIBh	43.3	44.9	49.2	-	42.3	43.8	48.0	-	41.3	42.8	46.9	-	40.3	41.7	45.7	-	38.3	39.6	43.4	-	35.4	36.7	40.2	-
	S/T	0.78	0.65	0.45	-	0.80	0.67	0.47	-	0.82	0.69	0.48	-	0.85	0.71	0.49	-	0.88	0.74	0.51	-	0.89	0.74	0.52	-
	ΔT	18	16	12	-	19	16	12	-	19	16	12	-	19	16	12	-	19	16	12	-	17	15	11	-
kW	3.10	3.16	3.26	-	3.33	3.40	3.50	-	3.53	3.60	3.71	-	3.71	3.78	3.90	-	3.86	3.94	4.06	-	3.99	4.07	4.20	-	
Amps	14.8	15.1	15.5	-	15.8	16.0	16.5	-	16.8	17.1	17.6	-	17.7	18.1	18.5	-	18.6	19.0	19.5	-	19.5	19.9	20.5	-	
HI PR	239	257	272	-	268	289	305	-	305	328	347	-	347	374	395	-	391	421	444	-	432	465	491	-	
LO PR	110	117	128	-	116	124	135	-	121	129	141	-	127	135	148	-	133	142	155	-	138	147	160	-	
MIBh	40.0	41.4	45.4	-	39.0	40.4	44.3	-	38.1	39.5	43.3	-	37.2	38.5	42.2	-	35.3	36.6	40.1	-	32.7	33.9	37.1	-	
S/T	0.75	0.63	0.43	-	0.78	0.65	0.45	-	0.80	0.66	0.46	-	0.82	0.69	0.47	-	0.85	0.71	0.49	-	0.86	0.72	0.50	-	
ΔT	19	16	12	-	19	16	12	-	19	16	12	-	19	17	13	-	19	16	12	-	18	15	12	-	
kW	3.03	3.09	3.18	-	3.25	3.32	3.42	-	3.45	3.52	3.63	-	3.62	3.69	3.81	-	3.76	3.84	3.97	-	3.89	3.97	4.10	-	
Amps	14.5	14.8	15.2	-	15.4	15.7	16.1	-	16.4	16.8	17.2	-	17.3	17.7	18.1	-	18.2	18.6	19.1	-	19.1	19.5	20.0	-	
HI PR	232	249	263	-	260	280	296	-	296	318	336	-	337	363	383	-	379	408	431	-	419	451	476	-	
LO PR	107	114	124	-	113	120	131	-	117	125	136	-	123	131	143	-	129	138	150	-	134	142	155	-	
75	MIBh	45.3	46.7	50.5	54.2	44.3	45.6	49.4	53.0	43.2	44.5	48.2	51.7	42.2	43.4	47.0	50.4	40.1	41.3	44.7	47.9	37.1	38.2	41.4	44.4
	S/T	0.93	0.83	0.63	0.40	0.96	0.86	0.65	0.42	0.98	0.88	0.67	0.43	1.00	0.91	0.69	0.44	1.00	0.94	0.71	0.46	1.00	0.95	0.72	0.46
	ΔT	21	19	15	11	21	19	16	11	21	19	16	11	21	19	16	11	20	19	16	11	18	18	15	10
	kW	3.15	3.21	3.31	3.41	3.38	3.45	3.56	3.67	3.58	3.66	3.77	3.90	3.77	3.85	3.97	4.10	3.92	4.00	4.13	4.27	4.05	4.14	4.27	4.41
	Amps	15.1	15.3	15.7	16.2	16.0	16.3	16.7	17.2	17.0	17.4	17.8	18.4	18.0	18.3	18.8	19.4	18.9	19.3	19.8	20.4	19.8	20.2	20.8	21.4
	HI PR	244	262	277	289	274	294	311	324	311	335	354	369	354	381	403	420	399	429	453	473	441	474	501	522
	LO PR	112	120	131	139	119	126	138	147	124	131	143	153	130	138	151	160	136	145	158	168	141	150	163	174
	MIBh	44.0	45.3	49.1	52.7	43.0	44.3	47.9	51.4	42.0	43.2	46.8	50.2	41.0	42.2	45.6	49.0	38.9	40.1	43.4	46.5	36.0	37.1	40.2	43.1
	S/T	0.88	0.79	0.60	0.38	0.91	0.82	0.62	0.40	0.94	0.84	0.63	0.41	0.97	0.87	0.66	0.42	1.00	0.90	0.68	0.44	1.00	0.91	0.69	0.44
	ΔT	21	20	16	11	22	20	16	11	22	20	16	11	22	20	16	11	21	20	16	11	20	18	15	10
kW	3.12	3.19	3.28	3.38	3.35	3.42	3.53	3.64	3.56	3.63	3.75	3.86	3.74	3.81	3.94	4.06	3.89	3.97	4.10	4.23	4.02	4.11	4.24	4.38	
Amps	15.0	15.2	15.6	16.0	15.9	16.2	16.6	17.1	16.9	17.3	17.7	18.2	17.8	18.2	18.7	19.3	18.8	19.1	19.7	20.3	19.7	20.1	20.6	21.3	
HI PR	241	260	274	286	271	292	308	321	308	332	350	365	351	378	399	416	395	425	449	468	436	469	496	517	
LO PR	111	118	129	138	118	125	137	146	122	130	142	151	128	137	149	159	135	143	156	167	139	148	162	172	
MIBh	40.6	41.8	45.3	48.6	39.7	40.9	44.2	47.5	38.7	39.9	43.2	46.3	37.8	38.9	42.1	45.2	35.9	37.0	40.0	42.9	33.3	34.2	37.1	39.8	
S/T	0.85	0.76	0.58	0.37	0.88	0.79	0.60	0.38	0.90	0.81	0.61	0.39	0.93	0.83	0.63	0.41	0.97	0.87	0.66	0.42	0.98	0.87	0.66	0.43	
ΔT	22	20	16	11	22	20	17	11	22	20	17	11	22	20	17	11	22	20	16	11	20	19	15	11	
kW	3.05	3.11	3.21	3.31	3.28	3.34	3.45	3.55	3.47	3.55	3.66	3.77	3.65	3.72	3.84	3.96	3.79	3.87	4.00	4.13	3.92	4.01	4.13	4.27	
Amps	14.6	14.9	15.3	15.7	15.5	15.8	16.2	16.7	16.6	16.9	17.3	17.8	17.5	17.8	18.3	18.8	18.3	18.7	19.2	19.8	19.2	19.6	20.1	20.8	
HI PR	234	252	266	278	263	283	299	311	299	322	340	354	340	366	387	403	383	412	435	454	423	455	481	501	
LO PR	108	115	125	134	114	121	133	141	119	126	138	147	125	133	145	154	131	139	152	162	135	144	157	167	

IDB: Entering Indoor Dry Bulb Temperature  
 High and low pressures are measured at the liquid and suction access fittings.  
 Design Subcooling, 10 ± 2 °F @ the liquid access fitting connection ARI 95 test conditions. Design Superheat 10± 2 °F @ the compressor suction access fitting connection.

Shaded area reflects ACCA (TVA) conditions  
 kW = Total system power  
 Amps = outdoor unit amps (comp.+fan)

EXPANDED COOLING DATA — GPC1348M41C\* (CONT.)

IDB	AIRFLOW	OUTDOOR AMBIENT TEMPERATURE												ENTERING INDOOR WET BULB TEMPERATURE												
		65°F				75°F				85°F				95°F				105°F				115°F				
		59	63	67	71	59	63	67	71	59	63	67	71	59	63	67	71	59	63	67	71	59	63	67	71	
80	1880	MBh	46.1	47.2	50.4	53.9	45.1	46.1	49.2	52.6	44.0	45.0	48.0	51.4	42.9	43.9	46.9	50.1	40.8	41.7	44.5	47.6	37.8	38.6	41.2	44.1
		S/T	1.00	0.95	0.77	0.58	1.00	1.00	0.80	0.60	1.00	1.00	0.82	0.62	1.00	1.00	0.85	0.63	1.00	1.00	0.88	0.66	1.00	1.00	0.89	0.66
	ΔT	23	22	19	15	22	23	19	15	21	22	19	15	21	21	21	19	16	20	20	19	15	18	19	18	14
	kW	3.17	3.24	3.33	3.44	3.41	3.48	3.58	3.70	3.61	3.69	3.81	3.93	3.80	3.88	4.00	4.13	3.95	4.04	4.17	4.30	4.08	4.17	4.31	4.45	4.45
	Amps	15.2	15.4	15.8	16.3	16.1	16.4	16.8	17.3	17.2	17.5	18.0	18.5	18.1	18.5	19.0	19.5	19.0	19.4	19.4	20.0	20.6	20.0	20.4	20.9	21.6
	HI PR	246	265	280	292	276	297	314	328	314	338	357	373	358	385	407	424	403	433	458	477	445	479	506	527	527
	LO PR	114	121	132	141	120	128	139	148	125	133	145	154	131	139	152	162	137	146	160	170	142	151	165	176	176
	MBh	44.8	45.8	48.9	52.3	43.8	44.7	47.8	51.1	42.7	43.7	46.6	49.9	41.7	42.6	45.5	48.6	39.6	40.5	43.2	46.2	36.7	37.5	40.0	42.8	
	S/T	0.97	0.91	0.74	0.55	1.00	0.94	0.77	0.57	1.00	0.96	0.78	0.59	1.00	1.00	0.81	0.61	1.00	1.00	0.84	0.63	1.00	1.00	0.85	0.63	
	ΔT	24	23	20	16	24	23	20	16	23	23	20	16	23	23	20	16	22	22	20	16	20	21	19	15	15
kW	3.15	3.21	3.31	3.41	3.38	3.45	3.56	3.67	3.58	3.66	3.78	3.90	3.77	3.85	3.97	4.10	3.92	4.00	4.13	4.27	4.05	4.14	4.27	4.41	4.41	
Amps	15.1	15.3	15.7	16.2	16.0	16.3	16.7	17.2	17.1	17.4	17.8	18.4	18.0	18.3	18.8	19.4	18.9	19.3	19.8	20.4	19.8	20.2	20.8	21.4	21.4	
HI PR	244	262	277	289	274	294	311	324	311	335	354	369	354	381	403	420	399	429	453	473	441	474	501	522	522	
LO PR	112	120	131	139	119	126	138	147	124	131	143	153	130	138	151	160	136	145	158	168	141	150	163	174	174	
MBh	41.4	42.3	45.1	48.3	40.4	41.3	44.1	47.1	39.4	40.3	43.0	46.0	38.5	39.3	42.0	44.9	36.5	37.3	39.9	42.6	33.9	34.6	37.0	39.5		
S/T	0.93	0.88	0.71	0.53	0.97	0.91	0.74	0.55	0.99	0.93	0.76	0.57	1.02	1.00	0.96	0.78	0.58	1.06	1.00	0.81	0.61	1.07	1.00	0.82	0.61	
ΔT	24	23	20	16	24	23	20	16	24	23	20	16	25	24	21	16	24	23	20	16	23	22	19	15	15	
kW	3.08	3.14	3.23	3.33	3.30	3.37	3.47	3.58	3.50	3.57	3.68	3.80	3.68	3.75	3.87	4.00	3.82	3.91	4.03	4.16	3.95	4.04	4.17	4.30	4.30	
Amps	14.7	15.0	15.4	15.8	15.6	15.9	16.3	16.8	16.7	17.0	17.4	18.0	17.6	17.9	18.4	19.0	18.5	18.8	19.4	20.0	19.4	19.8	20.3	20.9	20.9	
HI PR	237	255	269	280	265	286	302	315	302	325	343	358	344	370	391	408	387	416	440	458	427	460	486	507	507	
LO PR	109	116	127	135	115	123	134	143	120	127	139	148	126	134	146	156	132	140	153	163	136	145	158	169	169	
85	1880	MBh	47.0	47.9	50.1	53.5	45.9	46.7	49.0	52.2	44.8	45.6	47.8	51.0	43.7	44.5	46.6	49.7	41.5	42.3	44.3	47.3	38.4	39.2	41.0	43.8
		S/T	1.00	1.00	0.93	0.75	1.00	1.00	0.96	0.78	1.00	1.00	0.98	0.80	1.00	1.00	0.97	0.79	1.00	1.00	0.97	0.82	1.00	1.00	0.97	0.82
	ΔT	23	23	20	16	22	23	20	16	22	22	20	16	23	23	20	16	20	20	21	22	20	19	19	20	18
	kW	3.20	3.26	3.36	3.46	3.43	3.50	3.61	3.73	3.64	3.72	3.84	3.96	3.83	3.91	4.03	4.16	3.98	4.07	4.20	4.34	4.12	4.21	4.34	4.49	4.49
	Amps	15.3	15.5	15.9	16.4	16.2	16.5	16.9	17.4	17.3	17.6	18.1	18.6	18.2	18.6	19.1	19.7	19.2	19.6	20.1	20.7	20.1	20.5	21.1	21.8	21.8
	HI PR	249	268	283	295	279	300	317	331	317	342	361	376	362	389	411	429	407	438	462	482	449	484	511	533	533
	LO PR	115	122	133	142	121	129	141	150	126	134	146	156	132	141	154	164	139	148	161	172	143	153	167	177	177
	MBh	45.6	46.5	48.7	51.9	44.5	45.4	47.5	50.7	43.5	44.3	46.4	49.5	42.4	43.2	45.3	48.3	40.3	41.1	43.0	45.9	37.3	38.0	39.8	42.5	
	S/T	1.00	0.98	0.88	0.72	1.00	1.00	0.92	0.74	1.00	1.00	0.94	0.76	1.00	1.00	0.97	0.79	1.00	1.00	0.97	0.82	1.00	1.00	0.97	0.82	
	ΔT	25	25	24	20	24	25	24	21	24	24	24	21	23	24	24	21	22	23	24	21	20	21	22	19	19
kW	3.17	3.24	3.33	3.44	3.41	3.48	3.58	3.70	3.61	3.69	3.81	3.93	3.80	3.88	4.00	4.13	3.95	4.04	4.17	4.30	4.08	4.17	4.31	4.45	4.45	
Amps	15.2	15.4	15.8	16.3	16.1	16.4	16.8	17.3	17.2	17.5	18.0	18.5	18.1	18.5	19.0	19.5	19.0	19.4	20.0	20.6	20.0	20.4	20.9	21.6	21.6	
HI PR	246	265	280	292	276	297	314	328	314	338	357	373	358	385	407	424	403	433	458	477	445	479	506	527	527	
LO PR	114	121	132	141	120	128	139	148	125	133	145	154	131	139	152	162	137	146	160	170	142	151	165	176	176	
MBh	42.1	42.9	44.9	47.9	41.1	41.9	43.9	46.8	40.1	40.9	42.8	45.7	39.1	39.9	41.8	44.6	37.2	37.9	39.7	42.4	34.4	35.1	36.8	39.2		
S/T	0.98	0.94	0.85	0.69	1.00	0.98	0.88	0.72	1.00	1.00	0.91	0.73	1.00	1.00	0.93	0.76	1.00	1.00	0.97	0.79	1.00	1.00	0.98	0.79		
ΔT	26	25	24	21	26	26	24	21	25	26	24	21	24	25	24	21	23	24	24	21	22	22	22	19	19	
kW	3.10	3.16	3.26	3.36	3.33	3.40	3.50	3.61	3.53	3.60	3.71	3.83	3.70	3.78	3.90	4.03	3.85	3.94	4.06	4.20	3.98	4.07	4.20	4.34	4.34	
Amps	14.8	15.1	15.5	15.9	15.8	16.0	16.5	16.9	16.8	17.1	17.6	18.1	17.7	18.1	18.5	19.1	18.6	19.0	19.5	20.1	19.5	19.9	20.4	21.1	21.1	
HI PR	239	257	272	283	268	289	305	318	305	328	346	361	347	374	395	412	391	420	444	463	432	465	491	512	512	
LO PR	110	117	128	136	116	124	135	144	121	129	141	150	127	135	148	157	133	142	155	165	138	147	160	170	170	

IDB: Entering Indoor Dry Bulb Temperature  
 High and low pressures are measured at the liquid and suction access fittings.  
 Design Subcooling, 10 ± 2 °F @ the liquid access fitting connection ARI 95 test conditions. Design Superheat 10± 2 °F @ the compressor suction access fitting connection.

Shaded area reflects AHRI (TVA) conditions  
 kW = Total system power  
 Amps = outdoor unit amps (comp.+fan)

EXPANDED COOLING DATA — GPC1360M41A\*

IDB	AIRFLOW	OUTDOOR AMBIENT TEMPERATURE												ENTERING INDOOR WET BULB TEMPERATURE												
		65°F				75°F				85°F				95°F				105°F				115°F				
		59	63	67	71	59	63	67	71	59	63	67	71	59	63	67	71	59	63	67	71	59	63	67	71	
70	1967	MBh	54.9	56.9	62.3	-	53.6	55.6	60.9	-	52.3	54.2	59.4	-	51.0	52.9	58.0	-	48.5	50.3	55.1	-	44.9	46.6	51.0	-
		S/T	0.73	0.61	0.42	-	0.76	0.63	0.44	-	0.78	0.65	0.45	-	0.80	0.67	0.46	-	0.83	0.69	0.48	-	0.84	0.70	0.49	-
		ΔT	19	16	12	-	19	16	12	-	19	16	12	-	19	17	13	-	19	16	12	-	18	15	12	-
		kW	4.07	4.15	4.28	-	4.38	4.47	4.61	-	4.64	4.74	4.89	-	4.88	4.99	5.15	-	5.08	5.19	5.36	-	5.26	5.37	5.55	-
		Amps	19.9	20.3	20.8	-	21.1	21.5	22.1	-	22.6	23.0	23.6	-	23.8	24.3	24.9	-	25.0	25.5	26.2	-	26.2	26.8	27.5	-
	1750	HI PR	239	258	272	-	269	289	305	-	305	329	347	-	348	374	395	-	391	421	445	-	432	465	491	-
		LO PR	106	113	123	-	112	120	130	-	117	124	136	-	123	130	142	-	129	137	149	-	133	141	154	-
		MBh	53.3	55.2	60.5	-	52.0	53.9	59.1	-	50.8	52.7	57.7	-	49.6	51.4	56.3	-	47.1	48.8	53.5	-	43.6	45.2	49.5	-
		S/T	0.70	0.58	0.40	-	0.72	0.60	0.42	-	0.74	0.62	0.43	-	0.76	0.64	0.44	-	0.79	0.66	0.46	-	0.80	0.67	0.46	-
		ΔT	20	17	13	-	20	17	13	-	20	17	13	-	20	17	13	-	20	17	13	-	18	16	12	-
1534	kW	4.04	4.12	4.25	-	4.34	4.43	4.57	-	4.61	4.70	4.85	-	4.84	4.95	5.10	-	5.04	5.15	5.32	-	5.21	5.33	5.50	-	
	Amps	19.8	20.1	20.6	-	21.0	21.4	21.9	-	22.4	22.8	23.4	-	23.6	24.1	24.7	-	24.8	25.3	26.0	-	26.0	26.6	27.3	-	
	HI PR	237	255	269	-	266	286	302	-	302	325	344	-	344	371	391	-	387	417	440	-	428	461	486	-	
	LO PR	105	112	122	-	111	118	129	-	116	123	134	-	121	129	141	-	127	135	148	-	132	140	153	-	
	MBh	49.2	51.0	55.8	-	48.0	49.8	54.5	-	46.9	48.6	53.2	-	45.7	47.4	51.9	-	43.5	45.0	49.3	-	40.3	41.7	45.7	-	
75	1967	S/T	0.67	0.56	0.39	-	0.70	0.58	0.40	-	0.71	0.60	0.41	-	0.74	0.62	0.43	-	0.76	0.64	0.44	-	0.77	0.64	0.45	-
		ΔT	20	17	13	-	20	17	13	-	20	17	13	-	20	17	13	-	20	17	13	-	19	16	12	-
		kW	3.95	4.03	4.15	-	4.24	4.33	4.46	-	4.50	4.59	4.74	-	4.72	4.83	4.98	-	4.92	5.02	5.19	-	5.08	5.19	5.36	-
		Amps	19.4	19.7	20.2	-	20.5	20.9	21.5	-	21.9	22.3	22.9	-	23.1	23.5	24.2	-	24.3	24.8	25.4	-	25.4	25.9	26.7	-
		HI PR	230	247	261	-	258	278	293	-	293	316	333	-	334	359	380	-	376	404	427	-	415	447	472	-
	1750	LO PR	102	109	119	-	108	115	125	-	112	119	130	-	118	125	137	-	123	131	143	-	128	136	148	-
		MBh	55.8	57.5	62.2	66.7	54.5	56.1	60.7	65.2	53.2	54.8	59.3	63.6	51.9	53.4	57.9	62.1	49.3	50.8	55.0	59.0	45.7	47.0	50.9	54.6
		S/T	0.83	0.74	0.56	0.36	0.86	0.77	0.58	0.37	0.88	0.79	0.60	0.38	0.91	0.81	0.62	0.40	0.95	0.85	0.64	0.41	0.95	0.85	0.65	0.42
		ΔT	22	20	16	11	22	20	17	11	22	20	17	11	22	20	17	12	22	20	16	11	20	19	15	11
		kW	4.10	4.19	4.32	4.45	4.41	4.50	4.64	4.79	4.68	4.78	4.93	5.09	4.92	5.03	5.19	5.36	5.12	5.24	5.41	5.58	5.30	5.42	5.59	5.78
1534	Amps	20.0	20.4	20.9	21.5	21.3	21.7	22.2	22.9	22.7	23.2	23.8	24.5	24.0	24.4	25.1	25.9	25.2	25.7	26.4	27.2	26.4	27.0	27.7	28.6	
	HI PR	242	260	275	287	271	292	308	321	308	332	351	366	351	378	399	416	395	425	449	468	437	470	496	518	
	LO PR	107	114	125	133	113	121	132	140	118	125	137	146	124	132	144	153	130	138	151	161	134	143	156	166	
	MBh	54.2	55.8	60.4	64.8	52.9	54.5	59.0	63.3	51.7	53.2	57.6	61.8	50.4	51.9	56.2	60.3	47.9	49.3	53.4	57.3	44.4	45.7	49.4	53.0	
	S/T	0.79	0.71	0.54	0.34	0.82	0.73	0.56	0.36	0.84	0.75	0.57	0.37	0.87	0.78	0.59	0.38	0.90	0.81	0.61	0.39	0.91	0.81	0.62	0.40	
75	1750	ΔT	23	21	17	12	23	21	17	12	23	21	17	12	23	21	17	23	21	17	12	21	20	16	11	
		kW	4.07	4.16	4.28	4.42	4.38	4.47	4.61	4.75	4.64	4.74	4.89	5.05	4.88	4.99	5.15	5.31	5.08	5.19	5.36	5.54	5.26	5.37	5.55	5.73
		Amps	19.9	20.3	20.8	21.4	21.1	21.5	22.1	22.7	22.6	23.0	23.6	24.3	23.8	24.3	24.9	25.7	25.0	25.5	26.2	27.0	26.2	26.8	27.5	28.4
		HI PR	239	258	272	284	269	289	305	318	305	329	347	362	348	374	395	412	391	421	445	464	432	465	491	512
		LO PR	106	113	124	132	112	120	130	139	117	124	136	144	123	130	142	152	129	137	149	159	133	141	154	164
	1534	MBh	50.0	51.5	55.7	59.8	48.8	50.3	54.4	58.4	47.7	49.1	53.1	57.0	46.5	47.9	51.8	55.6	44.2	45.5	49.3	52.9	40.9	42.1	45.6	49.0
		S/T	0.76	0.68	0.52	0.33	0.79	0.71	0.54	0.34	0.81	0.73	0.55	0.35	0.84	0.75	0.57	0.36	0.87	0.78	0.59	0.38	0.88	0.78	0.59	0.38
		ΔT	23	21	17	12	23	21	17	12	23	21	18	12	23	21	18	12	23	21	17	12	22	20	16	11
		kW	3.98	4.06	4.18	4.31	4.27	4.36	4.50	4.64	4.53	4.63	4.77	4.93	4.76	4.86	5.02	5.18	4.96	5.07	5.23	5.40	5.13	5.24	5.41	5.59
		Amps	19.5	19.8	20.3	20.9	20.7	21.1	21.6	22.2	22.1	22.5	23.1	23.8	23.3	23.7	24.3	25.1	24.5	24.9	25.6	26.4	25.6	26.1	26.9	27.7
1534	HI PR	232	250	264	275	260	280	296	309	296	319	337	351	337	363	383	400	380	409	431	450	419	451	477	497	
	LO PR	103	110	120	128	109	116	127	135	113	121	132	140	119	127	138	147	125	133	145	154	129	137	150	160	

kW = Total system power  
Amps = outdoor unit amps (comp. + fan)

Shaded area reflects ACCA (TVA) conditions  
IDB: Entering Indoor Dry Bulb Temperature  
High and low pressures are measured at the liquid and suction access fittings.  
Design Subcooling, 9 ± 2 °F @ the liquid access fitting connection ARI 95 test conditions. Design Superheat 10± 2 °F @ the compressor suction access fitting connection.

EXPANDED COOLING DATA — GPC1360M41A\* (CONT.)

IDB	AIRFLOW	OUTDOOR AMBIENT TEMPERATURE																									
		65°F				75°F				85°F				95°F													
		59	63	67	71	59	63	67	71	59	63	67	71	59	63	67	71										
80	1967	MBh	56.8	58.0	62.0	66.3	55.5	56.7	60.6	64.7	54.2	55.3	59.1	63.2	52.8	54.0	57.7	61.7	50.2	51.3	54.8	58.6	46.5	47.5	50.8	54.3	
		S/T	0.91	0.85	0.70	0.52	0.94	0.89	0.72	0.54	0.97	0.91	0.74	0.55	1.00	0.94	0.76	0.57	1.00	1.00	0.79	0.59	1.00	1.00	0.80	0.60	
		ΔT	24	23	20	16	24	23	20	16	25	23	20	16	25	24	21	16	23	24	20	16	22	22	19	15	
		kW	4.14	4.22	4.35	4.49	4.45	4.54	4.68	4.83	4.72	4.82	4.97	5.14	4.96	5.07	5.23	5.40	5.17	5.28	5.45	5.63	5.34	5.46	5.64	5.83	
		Amps	20.2	20.6	21.1	21.7	21.4	21.8	22.4	23.1	22.9	23.3	24.0	24.7	24.1	24.6	25.3	26.1	25.4	25.9	26.6	27.5	26.6	27.2	27.9	28.8	
	1750	HI PR	244	263	277	289	274	295	311	325	312	335	354	369	355	382	403	421	399	430	454	473	441	475	501	523	
		LO PR	108	115	126	134	115	122	133	142	119	127	138	147	125	133	145	155	131	140	152	162	136	144	158	168	
		MBh	55.1	56.3	60.2	64.4	53.9	55.0	58.8	62.9	61.4	52.6	53.7	57.4	61.4	51.3	52.4	56.0	59.9	48.7	49.8	53.2	56.9	45.1	46.1	49.3	52.7
		S/T	0.87	0.81	0.66	0.50	0.90	0.84	0.69	0.51	0.92	0.87	0.70	0.53	0.95	0.89	0.73	0.54	0.99	0.93	0.75	0.56	1.00	0.94	0.76	0.57	
		ΔT	25	24	21	17	25	24	21	17	26	24	21	17	26	24	21	17	25	24	21	17	24	23	20	16	
1534	kW	4.10	4.19	4.32	4.45	4.41	4.50	4.64	4.79	4.68	4.78	4.93	5.09	4.92	5.03	5.19	5.36	5.12	5.24	5.41	5.58	5.30	5.42	5.59	5.78		
	Amps	20.0	20.4	20.9	21.5	21.3	21.7	22.2	22.9	22.7	23.2	23.8	24.5	24.0	24.4	25.1	25.9	25.2	25.7	26.4	27.3	26.4	27.0	27.7	28.6		
	HI PR	242	260	275	287	271	292	308	322	309	332	351	366	351	378	399	416	395	425	449	469	437	470	496	518		
	LO PR	107	114	125	133	113	121	132	140	118	125	137	146	124	132	144	153	130	138	151	161	134	143	156	166		
	MBh	50.9	52.0	55.6	59.4	49.7	50.8	54.3	58.0	48.5	49.6	53.0	56.6	47.3	48.4	51.7	55.3	45.0	46.0	49.1	52.5	41.7	42.6	45.5	48.6		
85	1967	S/T	0.84	0.79	0.64	0.48	0.87	0.81	0.66	0.50	0.89	0.83	0.68	0.51	0.92	0.86	0.70	0.52	0.95	0.89	0.73	0.54	0.96	0.90	0.73	0.55	
		ΔT	26	24	21	17	26	25	22	17	26	25	22	17	26	25	22	17	26	25	21	17	24	23	20	16	
		kW	4.01	4.09	4.22	4.35	4.31	4.40	4.53	4.68	4.57	4.67	4.81	4.97	4.80	4.90	5.06	5.23	5.00	5.11	5.27	5.45	5.17	5.28	5.45	5.63	
		Amps	19.6	20.0	20.5	21.1	20.8	21.2	21.8	22.4	22.2	22.7	23.3	23.9	23.4	23.9	24.5	25.3	24.6	25.1	25.8	26.6	25.8	26.4	27.1	27.9	
		HI PR	234	252	266	278	263	283	299	312	299	322	340	355	341	367	387	404	383	413	436	454	424	456	481	502	
	1750	LO PR	104	111	121	129	110	117	128	136	114	122	133	142	120	128	140	149	126	134	146	156	130	139	151	161	
		MBh	57.8	58.9	61.7	65.8	56.4	57.5	60.3	64.3	55.1	56.2	58.8	62.8	53.8	54.8	57.4	61.2	51.1	52.1	54.5	58.2	47.3	48.2	50.5	53.9	
		S/T	0.95	0.92	0.83	0.67	0.99	0.95	0.86	0.70	1.00	0.98	0.88	0.72	1.00	1.00	0.91	0.74	1.00	1.00	0.95	0.77	1.00	1.00	0.95	0.77	
		ΔT	26	25	24	21	26	26	24	21	26	26	24	21	25	26	24	21	24	24	24	21	22	23	23	20	
		kW	4.17	4.25	4.38	4.52	4.48	4.58	4.72	4.87	4.76	4.86	5.01	5.18	5.00	5.11	5.27	5.45	5.21	5.32	5.50	5.68	5.39	5.51	5.69	5.88	
1534	Amps	20.3	20.7	21.2	21.8	21.6	22.0	22.6	23.2	23.1	23.5	24.1	24.9	24.3	24.8	25.5	26.3	25.6	26.1	26.8	27.7	26.8	27.4	28.2	29.1		
	HI PR	247	265	280	292	277	298	314	328	315	339	358	373	358	386	407	425	403	434	458	478	446	479	506	528		
	LO PR	110	117	127	136	116	123	134	143	120	128	140	149	126	134	147	156	132	141	154	164	137	146	159	169		
	MBh	56.1	57.2	59.9	63.9	54.8	55.9	58.5	62.4	53.5	54.5	57.1	60.9	52.2	53.2	55.7	59.4	49.6	50.5	52.9	56.5	45.9	46.8	49.0	52.3		
	S/T	0.91	0.88	0.79	0.64	0.94	0.91	0.82	0.67	0.97	0.93	0.84	0.68	1.00	0.96	0.87	0.71	1.00	1.00	0.90	0.73	1.00	1.00	0.91	0.74		
88	1750	ΔT	27	26	25	22	27	27	25	22	27	27	25	22	27	27	25	22	26	27	25	22	24	25	23	20	
		kW	4.14	4.22	4.35	4.49	4.45	4.54	4.68	4.83	4.72	4.82	4.97	5.14	4.96	5.07	5.23	5.40	5.17	5.28	5.45	5.63	5.34	5.46	5.64	5.83	
		Amps	20.2	20.6	21.1	21.7	21.4	21.8	22.4	23.1	22.9	23.3	24.0	24.7	24.1	24.6	25.3	26.1	25.4	25.9	26.6	27.5	26.6	27.2	27.9	28.8	
		HI PR	244	263	277	289	274	295	311	325	312	335	354	369	355	382	403	421	399	430	454	473	441	475	501	523	
		LO PR	108	115	126	134	115	122	133	142	119	127	138	147	125	133	145	155	131	140	152	162	136	144	158	168	
	1534	MBh	51.8	52.8	55.3	59.0	50.6	51.6	54.0	57.6	49.4	50.3	52.7	56.2	48.2	49.1	51.4	54.9	45.8	46.7	48.9	52.1	42.4	43.2	45.3	48.3	
		S/T	0.88	0.85	0.76	0.62	0.91	0.88	0.79	0.64	0.93	0.90	0.81	0.66	0.96	0.93	0.84	0.68	1.00	0.96	0.87	0.71	1.00	0.97	0.88	0.71	
		ΔT	27	27	25	22	28	27	26	22	28	27	26	22	28	27	26	22	27	27	26	22	25	25	24	21	
		kW	4.04	4.12	4.25	4.38	4.34	4.43	4.57	4.71	4.61	4.70	4.85	5.01	4.84	4.94	5.10	5.27	5.04	5.15	5.32	5.49	5.21	5.33	5.50	5.68	
		Amps	19.8	20.1	20.6	21.2	21.0	21.4	21.9	22.6	22.4	22.8	23.4	24.1	23.6	24.1	24.7	25.5	24.8	25.3	26.0	26.8	26.0	26.6	27.3	28.2	
163	HI PR	237	255	269	281	266	286	302	315	302	325	343	358	344	370	391	408	387	417	440	459	428	460	486	507		
	LO PR	105	112	122	130	111	118	129	138	116	123	134	143	121	129	141	150	127	135	148	157	132	140	153	163		

IDB: Entering Indoor Dry Bulb Temperature  
 High and low pressures are measured at the liquid and suction access fittings.  
 Design Subcooling, 9 ± 2 °F @ the liquid access fitting connection ARI 95 test conditions. Design Superheat 10± 2 °F @ the compressor suction access fitting connection.

Shaded area reflects AHRI (TVA) conditions  
 kW = Total system power  
 Amps = outdoor unit amps (comp.+fan)



EXPANDED COOLING DATA — GPC1360M41C\*

IDB	AIRFLOW	OUTDOOR AMBIENT TEMPERATURE												ENTERING INDOOR WET BULB TEMPERATURE												
		65°F				75°F				85°F				95°F				105°F				115°F				
		59	63	67	71	59	63	67	71	59	63	67	71	59	63	67	71	59	63	67	71	59	63	67	71	
70	1965	MBh	53.8	55.8	61.1	-	52.6	54.5	59.7	-	51.3	53.2	58.3	-	50.1	51.9	56.8	-	47.6	49.3	54.0	-	44.0	45.7	50.0	-
		S/T	0.74	0.62	0.43	-	0.77	0.64	0.45	-	0.79	0.66	0.46	-	0.81	0.68	0.47	-	0.85	0.71	0.49	-	0.85	0.71	0.49	-
		ΔT	19	16	12	-	19	16	12	-	19	16	12	-	19	17	13	-	19	16	12	-	18	15	12	-
		kW	3.98	4.07	4.19	-	4.29	4.38	4.52	-	4.55	4.65	4.80	-	4.79	4.89	5.05	-	4.99	5.10	5.27	-	5.16	5.28	5.45	-
	1789	Amps	18.6	18.9	19.4	-	19.8	20.2	20.7	-	21.2	21.6	22.2	-	22.4	22.8	23.5	-	23.6	24.1	24.7	-	24.8	25.3	26.0	-
		HI PR	236	254	268	-	265	285	301	-	301	324	342	-	343	369	389	-	386	415	438	-	426	458	484	-
		LO PR	104	110	121	-	110	117	127	-	114	121	132	-	120	127	139	-	126	134	146	-	130	138	151	-
		MBh	53.3	55.2	60.5	-	52.0	53.9	59.1	-	50.8	52.7	57.7	-	49.6	51.4	56.3	-	47.1	48.8	53.5	-	43.6	45.2	49.5	-
	1535	S/T	0.73	0.61	0.42	-	0.75	0.63	0.44	-	0.77	0.65	0.45	-	0.80	0.67	0.46	-	0.83	0.69	0.48	-	0.84	0.70	0.48	-
		ΔT	20	17	13	-	20	17	13	-	20	17	13	-	20	18	13	-	20	17	13	-	19	16	12	-
		kW	3.97	4.06	4.18	-	4.28	4.37	4.51	-	4.54	4.64	4.79	-	4.78	4.88	5.04	-	4.98	5.09	5.26	-	5.15	5.27	5.44	-
		Amps	18.5	18.9	19.4	-	19.7	20.1	20.7	-	21.1	21.5	22.1	-	22.3	22.8	23.4	-	23.5	24.0	24.7	-	24.7	25.2	25.9	-
75	1965	HI PR	235	253	267	-	264	284	300	-	300	323	341	-	342	368	388	-	384	414	437	-	425	457	483	-
		LO PR	104	110	120	-	109	116	127	-	114	121	132	-	119	127	139	-	125	133	145	-	129	138	150	-
		MBh	49.2	51.0	55.8	-	48.0	49.8	54.5	-	46.9	48.6	53.2	-	45.7	47.4	51.9	-	43.5	45.0	49.3	-	40.3	41.7	45.7	-
		S/T	0.70	0.59	0.41	-	0.73	0.61	0.42	-	0.75	0.62	0.43	-	0.77	0.64	0.45	-	0.80	0.67	0.46	-	0.81	0.67	0.47	-
1789	ΔT	21	18	14	-	21	18	14	-	21	18	14	-	21	18	14	-	21	18	14	-	19	17	13	-	
	kW	3.88	3.96	4.08	-	4.17	4.26	4.40	-	4.43	4.53	4.67	-	4.66	4.76	4.92	-	4.85	4.96	5.12	-	5.02	5.13	5.30	-	
	Amps	18.1	18.5	19.0	-	19.3	19.7	20.2	-	20.6	21.1	21.6	-	21.8	22.2	22.9	-	23.0	23.4	24.1	-	24.1	24.6	25.3	-	
	HI PR	228	245	259	-	256	275	291	-	291	313	331	-	331	357	377	-	373	401	424	-	412	443	468	-	
75	1535	LO PR	100	107	117	-	106	113	123	-	110	117	128	-	116	123	135	-	121	129	141	-	126	134	146	-
		MBh	54.7	56.3	61.0	65.5	53.4	55.0	59.6	63.9	52.2	53.7	58.1	62.4	50.9	52.4	56.7	60.9	48.4	49.8	53.9	57.8	44.8	46.1	49.9	53.6
		S/T	0.84	0.75	0.57	0.37	0.87	0.78	0.59	0.38	0.90	0.80	0.61	0.39	0.93	0.83	0.63	0.40	0.96	0.86	0.65	0.42	0.97	0.87	0.66	0.42
		ΔT	22	20	16	11	22	20	17	11	22	20	17	11	22	20	17	11	22	20	16	11	22	20	19	15
75	1789	kW	4.02	4.10	4.23	4.36	4.32	4.41	4.55	4.70	4.59	4.69	4.84	5.00	4.83	4.94	5.10	5.27	5.03	5.14	5.31	5.49	5.21	5.32	5.50	5.69
		Amps	18.7	19.1	19.6	20.2	19.9	20.3	20.9	21.5	21.3	21.8	22.4	23.1	22.5	23.0	23.6	24.4	23.8	24.3	24.9	25.8	25.0	25.5	26.2	27.1
		HI PR	238	256	271	282	267	288	304	317	304	327	345	360	346	370	393	410	389	419	443	462	430	463	489	510
		LO PR	105	112	122	130	111	118	129	137	115	123	134	143	121	129	141	150	127	135	147	157	131	140	152	162
75	1535	MBh	54.2	55.8	60.4	64.8	52.9	54.5	59.0	63.3	51.7	53.2	57.6	61.8	50.4	51.9	56.2	60.3	47.9	49.3	53.4	57.3	44.4	45.7	49.4	53.0
		S/T	0.83	0.74	0.56	0.36	0.86	0.77	0.58	0.37	0.88	0.79	0.60	0.38	0.91	0.81	0.61	0.40	0.94	0.84	0.64	0.41	0.95	0.85	0.64	0.41
		ΔT	23	21	17	12	23	21	18	12	23	22	18	12	24	22	18	12	23	21	17	12	22	20	16	11
		kW	4.01	4.09	4.22	4.35	4.31	4.40	4.54	4.69	4.58	4.68	4.83	4.99	4.82	4.92	5.08	5.25	5.02	5.13	5.30	5.48	5.19	5.31	5.49	5.67
75	1789	Amps	18.7	19.0	19.5	20.1	19.9	20.3	20.8	21.5	21.3	21.7	22.3	23.0	22.5	23.0	23.6	24.3	23.7	24.2	24.9	25.7	24.9	25.4	26.2	27.0
		HI PR	237	256	270	281	266	287	303	316	303	326	344	359	345	371	392	409	388	418	441	460	429	462	488	509
		LO PR	105	111	121	129	111	118	128	137	115	122	133	142	121	128	140	149	126	135	147	156	131	139	152	162
		MBh	50.0	51.5	55.7	59.8	48.8	50.3	54.4	58.4	47.7	49.1	53.1	57.0	46.5	47.9	51.8	55.6	44.2	45.5	49.3	52.9	40.9	42.1	45.6	49.0
75	1535	S/T	0.80	0.71	0.54	0.35	0.83	0.74	0.56	0.36	0.85	0.76	0.57	0.37	0.88	0.78	0.59	0.38	0.91	0.81	0.62	0.40	0.92	0.82	0.62	0.40
		ΔT	24	22	18	12	24	22	18	13	24	22	18	13	24	22	18	13	24	22	18	13	22	21	17	12
		kW	3.91	3.99	4.12	4.25	4.21	4.30	4.43	4.58	4.47	4.56	4.71	4.87	4.70	4.80	4.96	5.12	4.90	5.00	5.17	5.34	5.06	5.18	5.35	5.53
		Amps	18.3	18.6	19.1	19.7	19.4	19.8	20.3	21.0	20.8	21.2	21.8	22.5	22.0	22.4	23.0	23.8	23.1	23.6	24.3	25.1	24.3	24.8	25.5	26.4
75	1535	HI PR	230	248	262	273	258	278	294	306	294	316	334	348	335	360	380	397	377	405	428	446	416	448	473	493
		LO PR	101	108	118	126	107	114	125	133	111	119	129	138	117	125	136	145	123	130	142	152	127	135	147	157

IDB: Entering Indoor Dry Bulb Temperature  
 High and low pressures are measured at the liquid and suction access fittings.  
 Design Subcooling, 9 ± 2 °F @ the liquid access fitting connection ARI 95 test conditions. Design Superheat 10± 2 °F @ the compressor suction access fitting connection.

Shaded area reflects ACCA (TVA) conditions  
 kW = Total system power  
 Amps = outdoor unit amps (comp. + fan)

EXPANDED COOLING DATA — GPC1360M41C\* (CONT.)

IDB	AIRFLOW	OUTDOOR AMBIENT TEMPERATURE																								
		65°F				75°F				85°F				95°F				105°F				115°F				
		59	63	67	71	59	63	67	71	59	63	67	71	59	63	67	71	59	63	67	71	59	63	67	71	
80	1965	MBh	55.7	56.9	60.8	65.0	54.4	55.6	59.4	63.5	53.1	54.3	58.0	62.0	51.8	52.9	56.6	60.5	49.2	50.3	53.7	57.4	45.6	46.6	49.8	53.2
		S/T	0.93	0.87	0.71	0.53	0.96	0.90	0.73	0.55	0.98	0.92	0.75	0.56	1.00	0.95	0.78	0.58	1.00	0.99	0.80	0.60	1.00	1.00	0.81	0.61
	ΔT	24	23	20	16	24	23	20	16	24	23	20	16	24	24	21	16	23	23	20	16	22	22	19	15	
	kW	4.05	4.13	4.26	4.40	4.36	4.45	4.59	4.74	4.63	4.73	4.88	5.04	4.87	4.98	5.14	5.31	5.07	5.19	5.36	5.54	5.25	5.37	5.55	5.73	
	Amps	18.8	19.2	19.7	20.3	20.1	20.5	21.0	21.7	21.5	21.9	22.5	23.2	22.7	23.2	23.8	24.6	23.9	24.4	25.1	26.0	25.2	25.7	26.4	27.3	
	HI PR	241	259	273	285	270	291	307	320	307	330	349	364	350	376	397	414	393	423	447	466	435	468	494	515	
	LO PR	106	113	123	131	112	119	130	139	116	124	135	144	122	130	142	151	128	136	149	158	133	141	154	164	
	1789	MBh	55.1	56.3	60.2	64.4	53.9	55.0	58.8	62.9	52.6	53.7	57.4	61.4	51.3	52.4	56.0	59.9	48.7	49.8	53.2	56.9	45.1	46.1	49.3	52.7
		S/T	0.91	0.85	0.69	0.52	0.94	0.88	0.72	0.54	0.96	0.90	0.74	0.55	1.00	0.93	0.76	0.57	1.00	0.97	0.79	0.59	1.00	0.98	0.80	0.59
	ΔT	26	25	21	17	26	25	22	17	26	25	22	17	26	26	22	17	25	25	22	17	23	23	20	16	
kW	4.04	4.12	4.25	4.39	4.35	4.44	4.58	4.73	4.62	4.72	4.87	5.03	4.86	4.96	5.13	5.30	5.06	5.17	5.34	5.52	5.24	5.36	5.53	5.72		
Amps	18.8	19.2	19.7	20.3	20.0	20.4	21.0	21.6	21.4	21.9	22.5	23.2	22.7	23.1	23.8	24.5	23.9	24.4	25.1	25.9	25.1	25.6	26.4	27.2		
HI PR	240	258	273	284	269	290	306	319	306	329	348	363	349	375	396	413	392	422	446	465	433	466	492	514		
LO PR	106	112	123	131	112	119	130	138	116	123	135	144	122	130	142	151	128	136	148	158	132	141	153	163		
1535	MBh	50.9	52.0	55.6	59.4	49.7	50.8	54.3	58.0	48.5	49.6	53.0	56.6	47.3	48.4	51.7	55.3	45.0	46.0	49.1	52.5	41.7	42.6	45.5	48.6	
	S/T	0.88	0.82	0.67	0.50	0.91	0.85	0.69	0.52	0.93	0.87	0.71	0.53	0.96	0.90	0.73	0.55	1.00	0.93	0.76	0.57	1.00	0.94	0.77	0.57	
ΔT	27	26	22	18	27	26	23	18	27	26	23	18	27	26	23	18	27	26	22	18	25	24	21	17		
kW	3.94	4.02	4.15	4.28	4.24	4.33	4.47	4.61	4.50	4.60	4.75	4.91	4.74	4.84	5.00	5.16	4.94	5.04	5.21	5.38	5.11	5.22	5.39	5.57		
Amps	18.4	18.7	19.2	19.8	19.6	20.0	20.5	21.1	21.0	21.4	22.0	22.6	22.1	22.6	23.2	24.0	23.3	23.8	24.5	25.3	24.5	25.0	25.7	26.6		
HI PR	233	250	264	276	261	281	297	309	297	320	337	352	338	364	384	401	380	409	432	451	420	452	478	498		
LO PR	102	109	119	127	108	115	126	134	113	120	131	139	118	126	137	146	124	132	144	153	128	136	149	159		
85	1965	MBh	56.7	57.8	60.5	64.5	55.3	56.4	59.1	63.0	54.0	55.1	57.7	61.5	52.7	53.7	56.3	60.0	50.1	51.0	53.5	57.0	46.4	47.3	49.5	52.8
		S/T	0.97	0.94	0.85	0.69	1.00	0.97	0.88	0.71	1.00	1.00	0.90	0.73	1.00	1.00	0.93	0.75	1.00	1.00	0.96	0.78	1.00	1.00	0.97	0.79
	ΔT	26	25	24	21	26	26	24	21	25	26	24	21	25	25	24	21	23	24	24	21	22	22	22	19	
	kW	4.08	4.16	4.30	4.43	4.39	4.49	4.63	4.78	4.67	4.77	4.92	5.09	4.91	5.02	5.18	5.36	5.12	5.23	5.40	5.59	5.30	5.41	5.59	5.78	
	Amps	19.0	19.3	19.9	20.5	20.2	20.6	21.2	21.8	21.7	22.1	22.7	23.4	22.9	23.4	24.0	24.8	24.1	24.6	25.3	26.2	25.4	25.9	26.6	27.5	
	HI PR	243	262	276	288	273	293	310	323	310	334	352	368	353	380	401	419	397	428	452	471	439	472	499	520	
	LO PR	107	114	124	132	113	120	131	140	118	125	137	145	123	131	143	153	129	138	150	160	134	142	155	166	
	1789	MBh	56.1	57.2	59.9	63.9	54.8	55.9	58.5	62.4	53.5	54.5	57.1	60.9	52.2	53.2	55.7	59.4	49.6	50.5	52.9	56.5	45.9	46.8	49.0	52.3
		S/T	0.95	0.92	0.83	0.67	0.99	0.95	0.86	0.70	1.00	0.98	0.88	0.71	1.00	1.00	0.91	0.74	1.00	1.00	0.94	0.77	1.00	1.00	0.95	0.77
	ΔT	27	27	26	22	28	27	26	22	27	27	26	22	27	27	26	23	25	26	26	22	24	24	24	21	
kW	4.07	4.15	4.29	4.42	4.38	4.47	4.62	4.77	4.66	4.76	4.91	5.07	4.90	5.01	5.17	5.34	5.10	5.22	5.39	5.57	5.28	5.40	5.58	5.77		
Amps	18.9	19.3	19.8	20.4	20.2	20.6	21.1	21.8	21.6	22.0	22.7	23.4	22.8	23.3	24.0	24.7	24.1	24.6	25.3	26.1	25.3	25.8	26.6	27.5		
HI PR	242	261	275	287	272	293	309	322	309	333	351	366	352	379	400	417	396	426	450	470	438	471	497	519		
LO PR	107	114	124	132	113	120	131	139	117	125	136	145	123	131	143	152	129	138	150	160	133	142	155	165		
1535	MBh	51.8	52.8	55.3	59.0	50.6	51.6	54.0	57.6	49.4	50.3	52.7	56.2	48.2	49.1	51.4	54.9	45.8	46.7	48.9	52.1	42.4	43.2	45.3	48.3	
	S/T	0.92	0.89	0.80	0.65	0.95	0.92	0.83	0.67	0.98	0.94	0.85	0.69	1.00	0.97	0.88	0.71	1.00	1.00	0.91	0.74	1.00	1.00	0.92	0.74	
ΔT	28	28	26	23	29	28	27	23	29	28	27	23	29	29	27	23	27	28	27	23	25	26	25	22		
kW	3.97	4.06	4.18	4.32	4.27	4.37	4.50	4.65	4.54	4.64	4.79	4.95	4.78	4.88	5.04	5.21	4.98	5.09	5.25	5.43	5.15	5.26	5.44	5.62		
Amps	18.5	18.9	19.4	20.0	19.7	20.1	20.7	21.3	21.1	21.5	22.1	22.8	22.3	22.8	23.4	24.1	23.5	24.0	24.7	25.5	24.7	25.2	25.9	26.8		
HI PR	235	253	267	279	264	284	300	313	300	323	341	355	342	368	388	405	384	414	437	455	425	457	482	503		
LO PR	104	110	120	128	109	116	127	135	114	121	132	141	119	127	139	148	125	133	145	155	129	138	150	160		

IDB: Entering Indoor Dry Bulb Temperature  
 High and low pressures are measured at the liquid and suction access fittings.  
 Design Subcooling, 9 ± 2 °F @ the liquid access fitting connection ARI 95 test conditions. Design Superheat 10± 2 °F @ the compressor suction access fitting connection.

Shaded area reflects AHRI (TVA) conditions  
 kW = Total system power  
 Amps = outdoor unit amps (comp.+fan)



**AIRFLOW DATA**

MODEL	MOTOR TAP SPEED	VOLTS	E.S.P (IN. OF H <sub>2</sub> O)								
				0.1	0.2	0.3	0.4	0.5	0.6	0.7	0.8
GPC13 36M41**	Low	230	CFM	1,122	1,078	1,032	972	915	804	687	558
			Watts	338	330	321	310	300	283	264	250
	Med	230	CFM	1,387	1,331	1,264	1,209	1,119	1,041	935	748
			Watts	456	440	428	412	399	382	363	330
	High	230	CFM	1,521	1,454	1,388	1,311	1,230	1,144	1,055	939
			Watts	534	521	510	490	477	461	442	420
GPC13 48M41**	T1	230	CFM	1,451	1,404	1,356	1,309	1,262	1,215	1,168	1,121
			Watts	255	264	273	282	291	299	308	317
	T2 / T3	230	CFM	1,809	1,762	1,715	1,667	1,620	1,573	1,526	1,479
			Watts	444	453	462	471	479	488	497	506
	T4 / T5	230	CFM	1,885	1,838	1,790	1,743	1,696	1,649	1,602	1,555
			Watts	484	493	502	510	519	528	537	546
GPC13 60M41**	T1	230	CFM	1,774	1,731	1,688	1,645	1,602	1,559	1,515	1,472
			Watts	444	453	463	473	483	493	503	512
	T2 / T3	230	CFM	1,891	1,848	1,804	1,761	1,718	1,675	1,632	1,589
			Watts	515	525	535	544	554	564	574	584
	T4 / T5	230	CFM	2,105	2,062	2,018	1,975	1,932	1,889	1,846	1,803
			Watts	646	656	666	676	686	696	705	715

**Notes**

- Data shown is dry coil. Wet coil pressure drop is approximately 0.1" H<sub>2</sub>O, for two-row indoor coil; 0.2" H<sub>2</sub>O, for three-row indoor coil; and 0.3" H<sub>2</sub>O, for four-row indoor coil.
- Data shown does not include filter pressure drop, approx. 0.08" H<sub>2</sub>O.
- ALL MODELS SHOULD RUN NO LESS THAN 350 CFM/TON. USE HIGHER SPEED TAP OR NEXT SIZE LARGER BLOWER ASM. See Repair Parts list.
- Reduce airflow by 2% for 208-volt operation.

## HEAT KIT ELECTRICAL DATA (BLOWER ONLY, HEAT MODE)

MODEL AND HEAT KIT USAGE	CIRCUIT #1		CIRCUIT #2		SINGLE-POINT KIT		ACTUAL KW / BTU@ 240V
	MCA <sup>1</sup>	MOP <sup>2</sup>	MCA <sup>1</sup>	MOP <sup>2</sup>	MCA <sup>1</sup>	MOP <sup>2</sup>	
<b>GPC1336M41**</b>	1.9	---	---	---	--	--	---
HKR-05*, HKR-05C*	21 / 25	25 / 25	---	---	25	40	4.75 / 16,200
HKR-08*, HKR-08C*	32 / 36	35 / 40	---	---	34 / 39	40 / 40	7.0 / 23,800
HKR-10*, HKR-10C*	43 / 49	45 / 50	---	---	45 / 52	60 / 60	9.5 / 32,400
HKP-15C*	43 / 49	45 / 50	21 / 25	25 / 25	66 / 76	70 / 80	14.25 / 48,600
<b>GPC1348M41**</b>	7.3	---	---	---	--	--	---
HKR-05*, HKR-05C*	21 / 25	25 / 25	---	---	32	50	4.75 / 16,200
HKR-08*, HKR-08C*	32 / 36	35 / 40	---	---	38 / 40	50	7.0 / 23,800
HKR-10*, HKR-10C*	43 / 49	45 / 50	---	---	49 / 56	60 / 60	9.5 / 32,400
HKP-15C*	43 / 49	45 / 50	21 / 25	25 / 25	70 / 80	80 / 90	14.25 / 48,600
HKP-20C	43 / 49	45 / 50	43 / 49	45 / 50	92 / 105	100 / 110	19.0 / 64,800
<b>GPC1360M41**</b>	9.5	---	---	---	--	--	---
HKR-05*, HKR-05C*	21 / 25	25 / 25	---	---	42	60	4.75 / 16,200
HKR-08*, HKR-08C*	32 / 36	35 / 40	---	---	42	60	7.0 / 23,800
HKR-10*, HKR-10C*	43 / 49	45 / 50	---	---	51 / 58	60 / 60	9.5 / 32,400
HKP-15C*	43 / 49	45 / 50	21 / 25	25 / 25	72 / 82	80 / 90	14.25 / 48,600
HKP-20C	43 / 49	45 / 50	43 / 49	45 / 50	93 / 107	100 / 110	19.0 / 64,800

<sup>1</sup> Minimum Circuit Ampacity @ 208 / 240 V

<sup>2</sup> Maximum Overcurrent Protection Device @ 208 / 240 V

\* Revision level that may or may not be designated

C Circuit breaker option

^ Heat Kit requires three-phase power supply

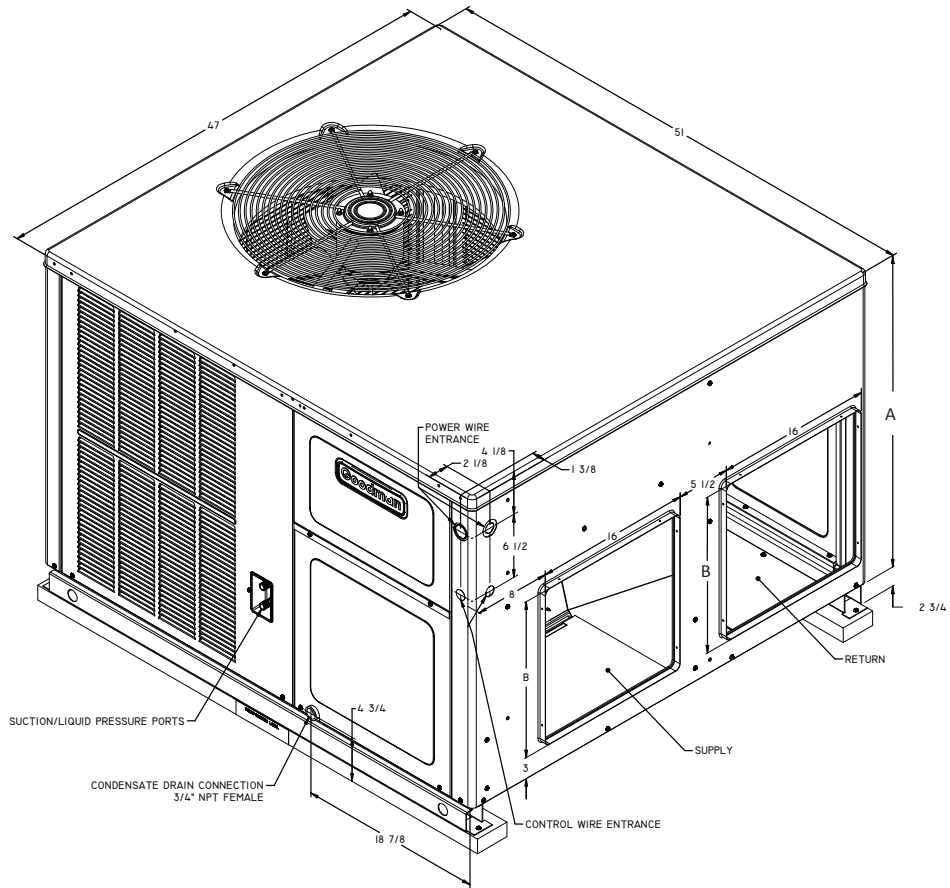
**NOTE:** HKP-15C\* and HKP-20C\* replace HKR-15C and HKR-20C respectively to meet new UL1995 requirements.

### SINGLE-POINT KIT ACCESSORY KITS

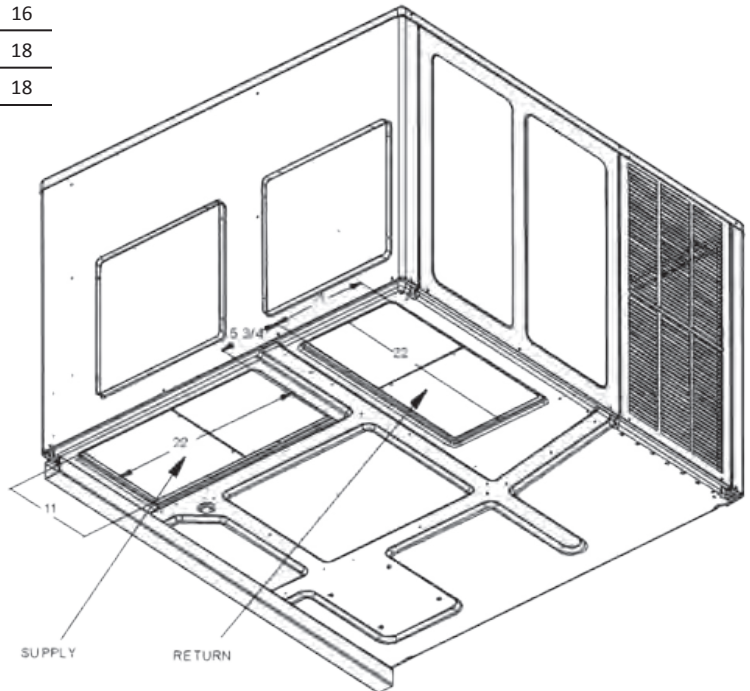
Select the single-point kit accessory based on the unit model.

MODEL	SINGLE-POINT KIT
GPC1336M41**	SPK-40
GPC1348M41**	SPK-50
GPC1360M41**	SPK-60

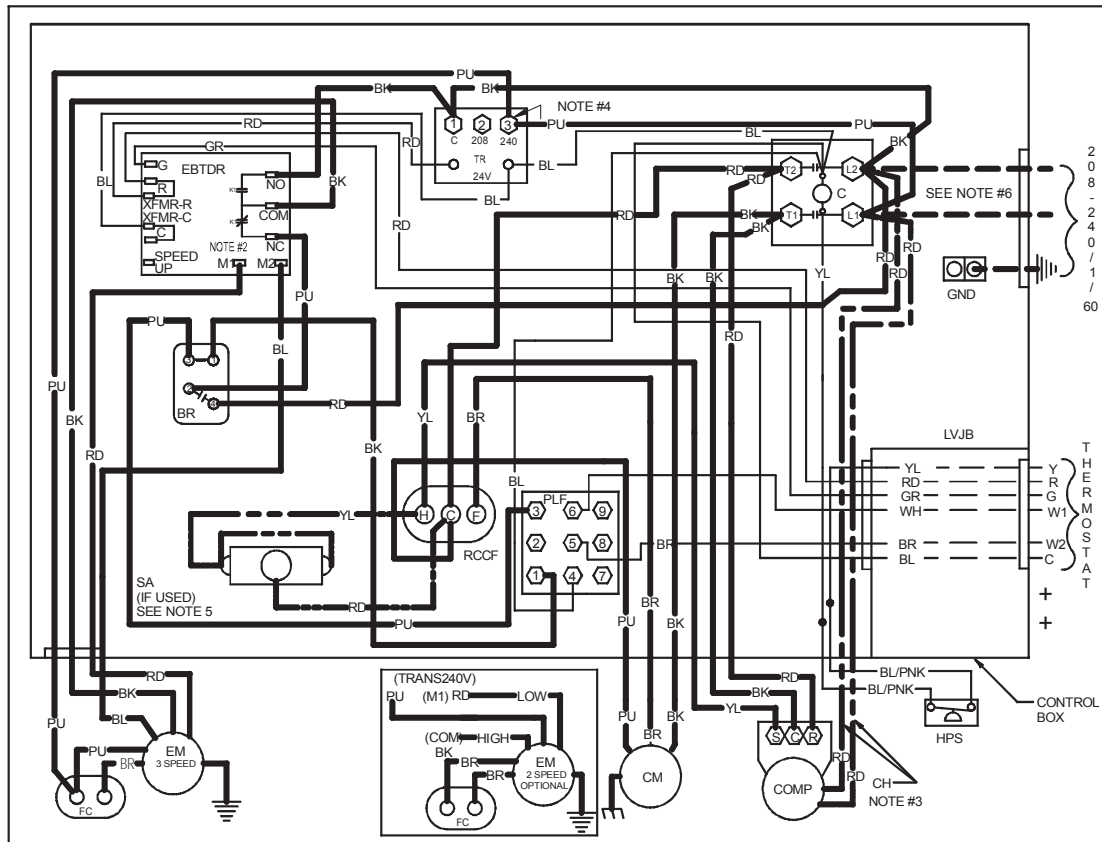
**DIMENSIONS**



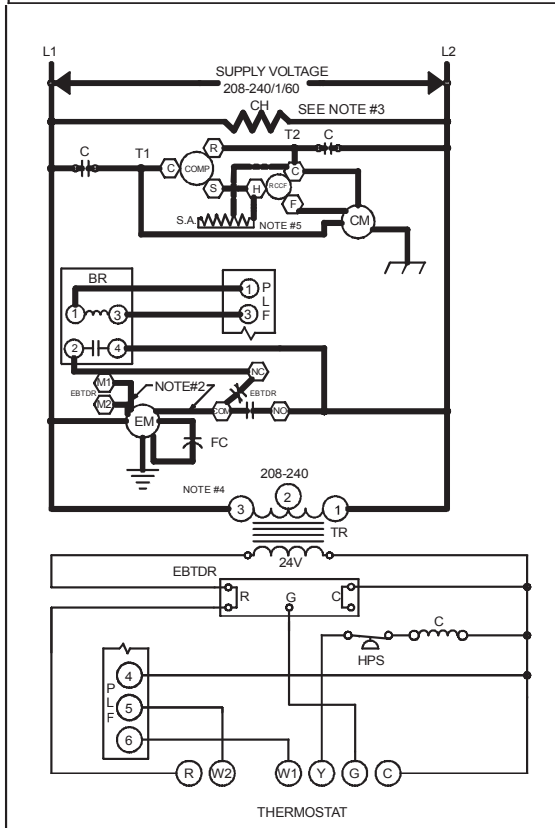
MODEL	CHASSIS SIZE		DIMENSIONS (")		
	MED.	LARGE	H x D x W	A	B
GPC1336M41**	X		34 $\frac{3}{4}$ x 51 x 47	32	16
GPC1348M41**		X	42 $\frac{3}{4}$ x 51 x 47	40	18
GPC1360M41**		X	42 $\frac{3}{4}$ x 51 x 47	40	18



# WIRING DIAGRAM — GPC1336M41\*\*



**WARNING**  
 High Voltage: Disconnect all power before servicing or installing this unit. Multiple power sources may be present. Failure to do so may cause property damage, personal injury, or death.



**COMPONENT LEGEND**

- BR BLOWER INTERLOCK RELAY
- C CONTACTOR
- CH CRANKCASE HEATER
- CM CONDENSER MOTOR
- COMP COMPRESSOR
- EBTD ELECTRONIC BLOWER TIME DELAY
- R RELAY
- EM EVAPORATOR MOTOR
- FC FAN CAPACITOR
- GND EQUIPMENT GROUND
- LVJB LOW VOLTAGE JUNCTION BOX
- PLF FEMALE PLUG / CONNECTOR
- RCCF RUN CAPACITOR FOR COMPRESSOR AND FAN
- SA START ASSIST
- TR TRANSFORMER
- HPS HIGH PRESSURE SWITCH

**FACTORY WIRING**

- LINE VOLTAGE
- LOW VOLTAGE
- OPTIONAL HIGH VOLTAGE

**FIELD WIRING**

- - - HIGH VOLTAGE
- - - LOW VOLTAGE

**WIRE CODE**

- BK BLACK
- BL BLUE
- BR BROWN
- GR GREEN
- OR ORANGE
- PU PURPLE
- RD RED
- WH WHITE
- YL YELLOW
- BL/PNK BLUE/PINK STRIPE

**NOTES:**

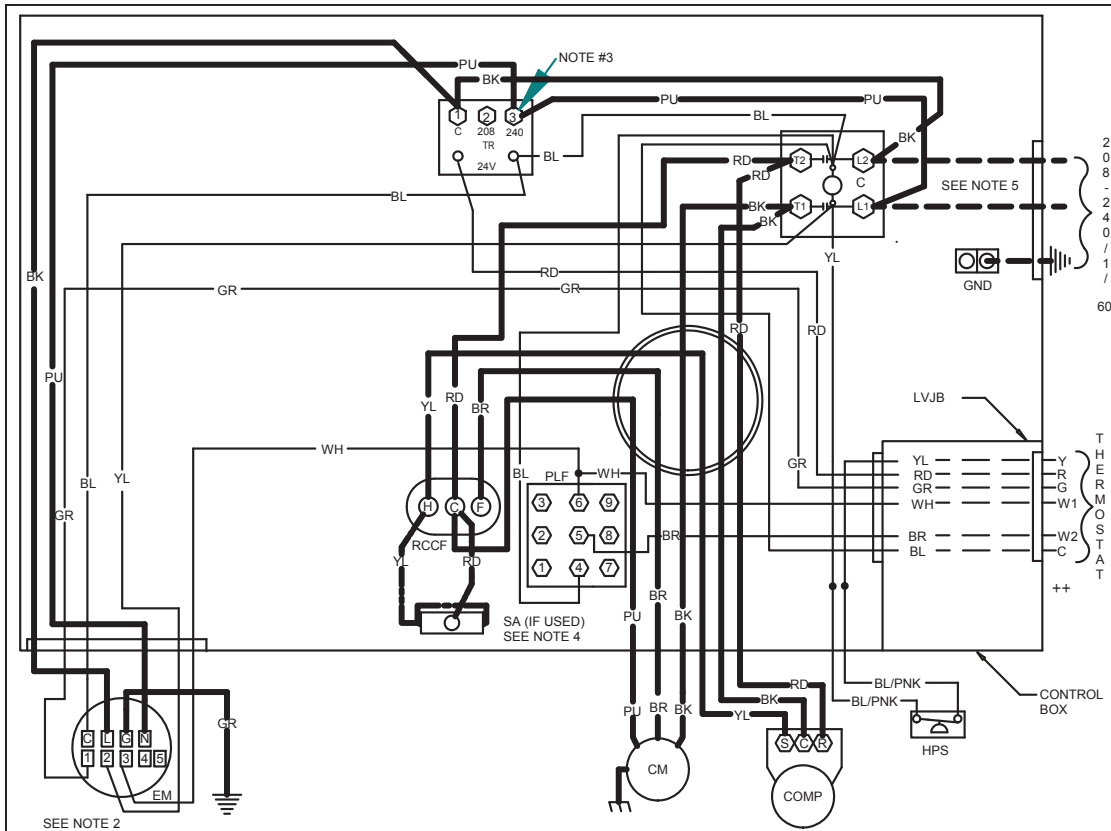
1. REPLACEMENT WIRE MUST BE SAME SIZE AND TYPE INSULATION AS ORIGINAL (AT LEAST 105°C) USE COPPER CONDUCTOR ONLY.
2. TO CHANGE EVAPORATOR MOTOR SPEED REPLACE LEAD ON EBTDR "COM" WITH LEAD ON EBTDR "M1" OR "M2"
3. CRANKCASE HEAT NOT SUPPLIED ON ALL UNITS.
4. FOR 208 VOLT TRANSFORMER OPERATION MOVE PURPLE WIRES FROM TERMINAL 3 TERMINAL 2 ON TRANSFORMER.
5. START ASSIST FACTOR EQUIPPED WHEN REQUIRED
6. USE COPPER CONDUCTORS ONLY
- ++ USE N.E.C. CLASS 2 WIRE

SEE UNIT RATING PLATE FOR TYPE AND SIZE OF OVER CURRENT PROTECTION

208-240/1/60 0140G01235 REV. A

Wiring is subject to change. Always refer to the wiring diagram or the unit for the most up-to-date wiring.

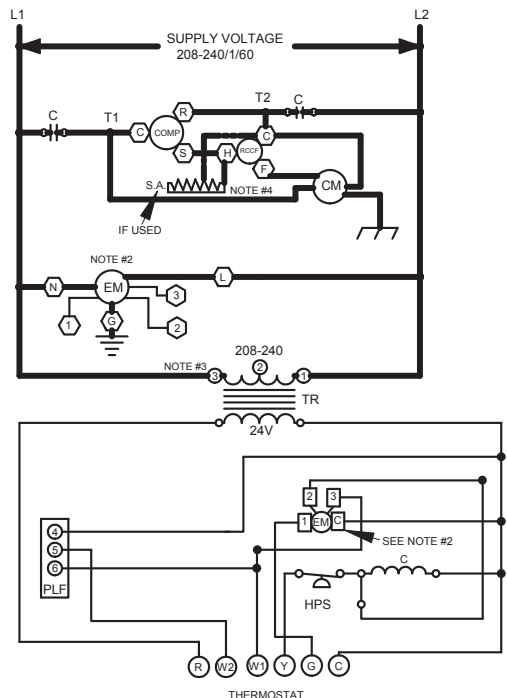
# WIRING DIAGRAM — GPC1348-60M41\*\*



**High Voltage:** Disconnect all power before servicing or installing this unit. Multiple power sources may be present. Failure to do so may cause property damage, personal injury, or death.

**WARNING**

Wiring is subject to change. Always refer to the wiring diagram or the unit for the most up-to-date wiring.



- COMPONENT LEGEND**
- C CONTACTOR
  - CM CONDENSER MOTOR
  - COMP COMPRESSOR
  - EM EVAPORATOR MOTOR
  - GND EQUIPMENT GROUND
  - LVJB LOW VOLTAGE JUNCTION BOX
  - PLF FEMALE PLUG / CONNECTOR
  - RCCF RUN CAPACITOR FOR COMPRESSOR AND FAN
  - SA START ASSIST
  - TR TRANSFORMER
  - HPS HIGH PRESSURE SWITCH
- FACTORY WIRING**
- LINE VOLTAGE
  - LOW VOLTAGE
  - - - OPTIONAL HIGH VOLTAGE
- FIELD WIRING**
- - - HIGH VOLTAGE
  - - - LOW VOLTAGE
- WIRE CODE**
- BK BLACK
  - BL BLUE
  - BR BROWN
  - GR GREEN
  - OR ORANGE
  - PU PURPLE
  - RD RED
  - WH WHITE
  - YL YELLOW
  - BL/PNK BLUE/PINK STRIPE

- NOTES:**
1. REPLACEMENT WIRE MUST BE SAME SIZE AND TYPE INSULATION AS ORIGINAL (AT LEAST 105°C) USE COPPER CONDUCTOR ONLY.
  2. TO CHANGE EVAPORATOR MOTOR SPEED MOVE WHITE AND YELLOW LEADS FROM EM"2" AND "3" TO "4" AND "5". IF BOTH LEADS ARE ENERGIZED, THE HIGHER SPEED SETTING IS USED.
  3. FOR 208 VOLT TRANSFORMER OPERATION MOVE PURPLE WIRES FROM TERMINAL 3 TO TERMINAL 2 ON TRANSFORMER.
  4. START ASSIST FACTOR EQUIPED WHEN REQUIRED
  5. USE COPPER CONDUCTORS ONLY
  - \*\* USE N.E.C. CLASS 2 WIRE

SEE UNIT RATING PLATE FOR TYPE AND SIZE OF OVER CURRENT PROTECTION